

KT7B / KT7BS - B10 - 1 R 00 - A 1 - 00 *
 ① ② ③ ④ ⑤ ⑥ ⑦ ⑧ ⑨

① Series

KT7B series-100 A2 HW
 ISO 2 bolts 3019-2 mounting flange
KT7BS series-SAE B 2 bolts
 Mounting flange J744

② Cam ring

Volumetric displacement (cm³/rev)

| | |
|----------|----------|
| B02=5.7 | B09=28.0 |
| B03=9.8 | B10=31.8 |
| B04=12.8 | B11=34.9 |
| B05=15.9 | B12=40.9 |
| B06=19.8 | B14=45.1 |
| B07=22.5 | B15=50.0 |
| B08=24.9 | |

③ Type of shaft KT7B-KT7BS

2-Keyed (ISO R775)

Type of shaft KT7BS

- 1-Keyed (SAE B)
- 3-Splined (SAE B)
- 4-Splined (SAE BB)
- 5-Keyed

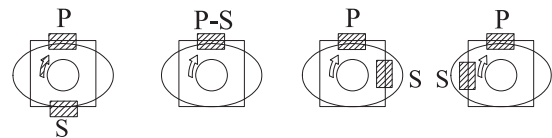
④ Direction of rotation(view on shaft end)

- R=clockwise
- L=counter-clockwise

⑤ Porting combination

00-standard

00 01 02 03



S=Suction port P=Pressure port

⑥ Design letter

⑦ Seal class

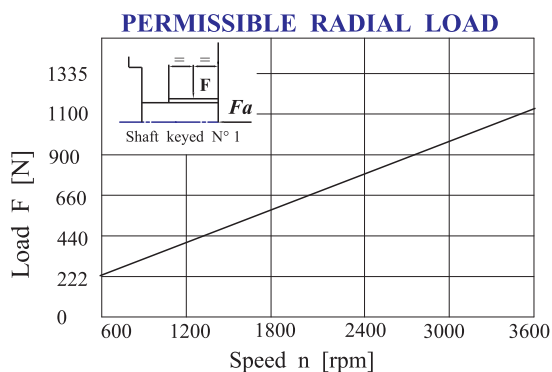
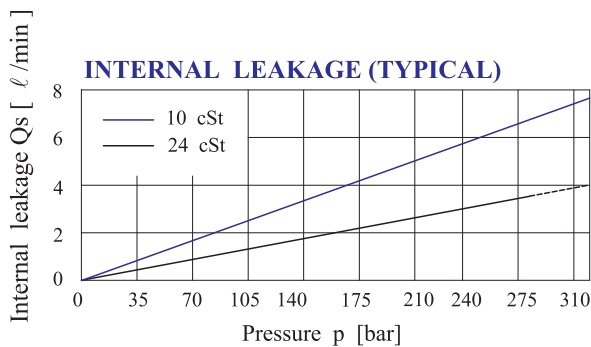
- 1-S1 (for mineral oil)
- 4-S4 (for fire resistant fluids)
- 5-S5 (for mineral oil and fire resistant fluids)

⑧ Mounting W/connection variables

4 bolts SAE flange(J518C)

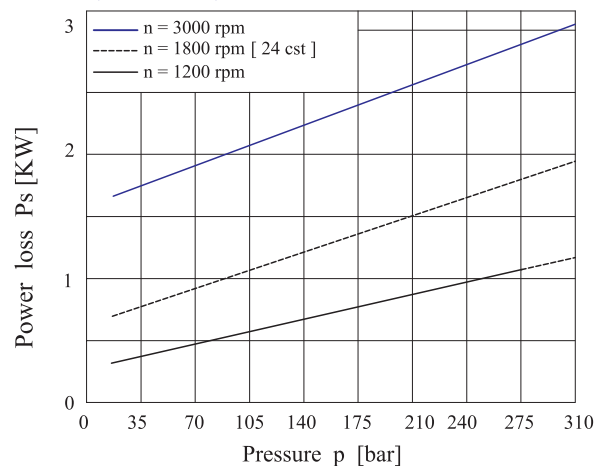
| | Unc | | Metric | |
|---|--------|------|------------|------|
| | KT7BS | | KT7B-KT7BS | |
| | 00 | 01 | M0 | M1 |
| P | 1" | 3/4" | 1" | 3/4" |
| S | 1 1/2" | | | |

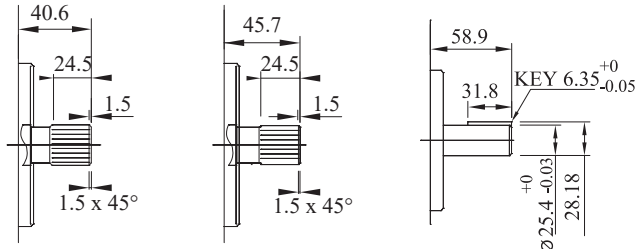
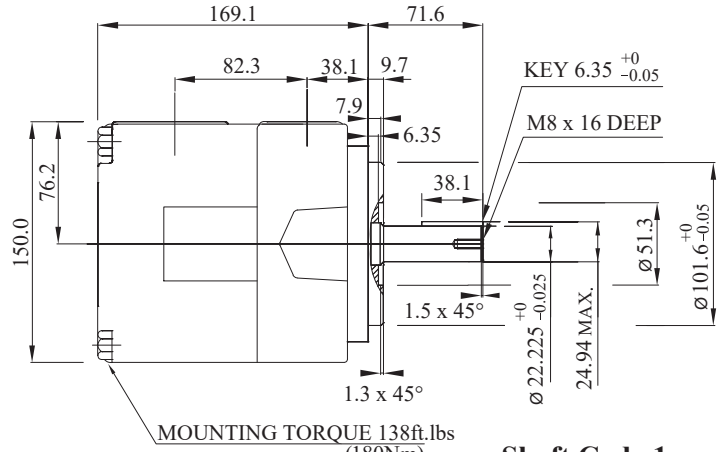
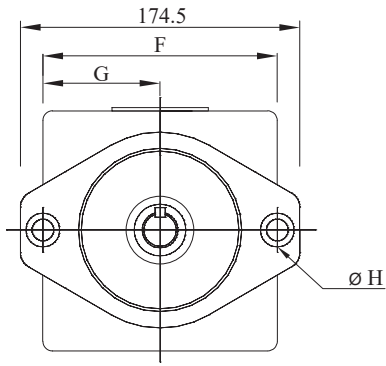
⑨ Modifications



Maximum axial load permissible Fa = 800 N

HYDROMECHANICAL POWER LOSS (TYPICAL)



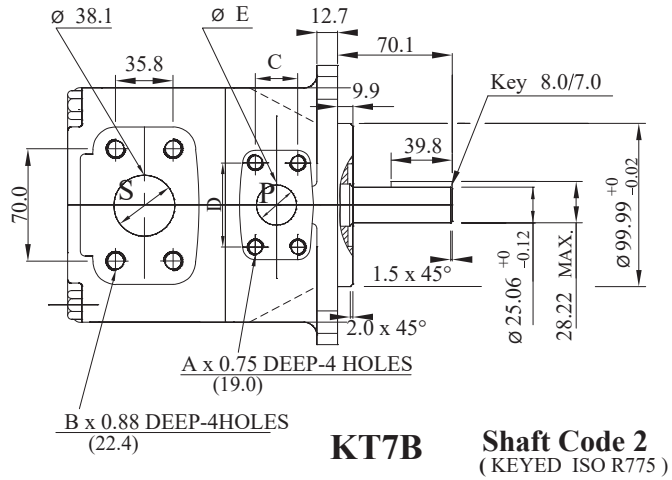


Shaft code 3
SAE B splined shaft
Class 1-J498 b
16/32 dp.-13 teeth
30° pressure angle
Flat root side fit

Shaft code 4
SAE BB splined shaft
Class 1-J498 b
16/32 dp.-15 teeth
30° pressure angle
Flat root side fit

Shaft code 5

KT7BS
MOUNTING TORQUE 138ft.lbs (180Nm)
Shaft Code 1
(KEYED SAE B)



KT7B
Shaft Code 2
(KEYED ISO R775)

| | KT7BS | | KT7B | |
|-----|--------------|--------------|--------------|--------------|
| | 00 | 01 | M0 | M1 |
| A | 3/8-16 UNC | | M10 | |
| B | 1/2-13 UNC | | M12 | |
| C | 1.03 (26.2) | 0.874 (22.2) | 1.03 (26.2) | 0.874 (22.2) |
| D | 2.06 (52.4) | 1.874 (47.6) | 2.06 (52.4) | 1.874 (47.6) |
| Ø E | 1.00 (25.4) | 0.75 (19.05) | 1.00 (25.4) | 0.75 (19.05) |
| F | 5.75 (146.0) | | 5.51 (140.0) | |
| G | 2.87 (73.0) | | 2.75 (70.0) | |
| Ø H | 0.56 (14.3) | | 0.55 (14.0) | |

| Shaft torque limits(mℓ/rev x bar) | | |
|-----------------------------------|-------|------------|
| Pump | Shaft | Vp x p max |
| KT7B | 1 | 16516 |
| | 2 | 20620 |
| | 3 | 20620 |
| | 4 | 20620 |

OPERATING CHARACTERISTICS - TYPICAL (24 cST)

| Pressure Port | Series | Volumetric Displacement Vp cm ³ /rev | Flow q & n = 1800 rpm (ℓ/min) | | | Input power p & n = 1800rpm (KW) | | | P Max Kg/cm ² | Max r.p.m |
|---------------|--------|----------------------------------------------------|----------------------------------|-----------|-----------|-------------------------------------|-----------|-----------|-----------------------------|--------------|
| | | | P=0 bar | P=140 bar | P=320 bar | P=7 bar | P=140 bar | P=320 bar | | |
| P1 | B02 | 5.7 | 10.4 | 8.8 | 6.5 | 0.55 | 2.99 | 6.40 | 320 | 3600 |
| | B03 | 9.8 | 17.6 | 15.9 | 13.7 | 0.63 | 4.65 | 10.25 | | |
| | B04 | 12.8 | 23.0 | 21.4 | 19.2 | 0.70 | 5.89 | 13.13 | | |
| | B05 | 15.9 | 28.6 | 26.9 | 24.7 | 0.76 | 7.17 | 16.12 | | |
| | B06 | 19.8 | 35.6 | 33.9 | 31.7 | 0.84 | 8.79 | 19.88 | | |
| | B07 | 22.5 | 40.4 | 38.8 | 36.5 | 0.89 | 9.91 | 22.47 | | |
| | B08 | 24.9 | 44.7 | 43.1 | 40.9 | 0.94 | 10.9 | 24.78 | | |
| | B09 | 28.0 | 50.3 | 48.6 | 46.4 | 1.01 | 12.19 | 27.77 | | |
| | B10 | 31.8 | 57.2 | 55.5 | 53.4 | 1.11 | 13.75 | 31.42 | | |
| | B11 | 34.9 | 62.9 | 61.2 | 59.0 1) | 1.15 | 15.04 | 32.22 1) | | |
| | B12 | 40.9 | 73.7 | 72.1 | 70.1 1) | 1.28 | 17.56 | 37.71 1) | | |
| | B14 | 45.1 | 80.8 | 79.2 | 77.0 1) | 1.36 | 19.23 | 41.37 1) | | |
| | B15 | 50.0 | 89.8 | 88.3 | 86.5 2) | 1.47 | 21.28 | 42.76 2) | | |

1) B11-B12-B14=300bar max. int.

2) B15=280 bar max. int.

Min Speed : 600 rpm