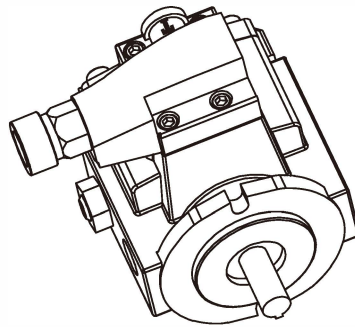


KPV-25
KPV-32
KPV-36
KPV-40



Features 特點

- ❖ 壓力板作耐磨, 耐疲勞及抗污處理, 大幅提高耐磨, 耐疲勞及高抗污性能。
- ❖ 固定及活動雙軸環設計, 內軸環作動滑順靈敏, 穩定性高。
- ❖ 作衝擊壓消除補償設計, 脈動衝擊小。
- ❖ 噪音低, 高效率, 高性能。
- ❖ 軸環材質採用特殊合金鋼, 壽命長。
- ❖ 採用SAE規格安裝, 符合國際通用規格。

Model	Pump capacity (cm ³ /rev)	Operating Pressure Mpa (Kgf/cm ²)	Max. Pressure Mpa (Kgf/cm ²)	No-load discharge Rate (L/min)		Weight (Kg)
				50HZ	60HZ	
KPV-25	25	1.5~ 21 (15.3~214.2)	25 (255)	37.5	45	28
KPV-32	32			48	57.6	
KPV-36	36			54	64.8	
KPV-40	40			60	72	

Ordering Code 訂購指引

KPV - 25 - F - 1 - B 12 - 01 - 01

① ② ③ ④ ⑤ ⑥ ⑦ ⑧

① **KPV 型號：高壓變量葉片泵**

② **流量 (cm³/rev)：25, 32, 36, 40**

③ **F：單座壓力閥**

④ **壓力級數**

1：1.5~14 Mpa (15.3~142.8 Kgf/cm²)

2：2.0~21 Mpa (20.4~214.2 Kgf/cm²)

⑤ **B：SAE-B 規格，Ø 101.6 安裝**

⑥ **轉速**

12：1200 rpm

15：1500 rpm

18：1800 rpm

⑦ **轉軸**

01：Ø 22.23 (長鍵)

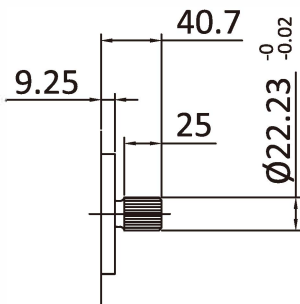
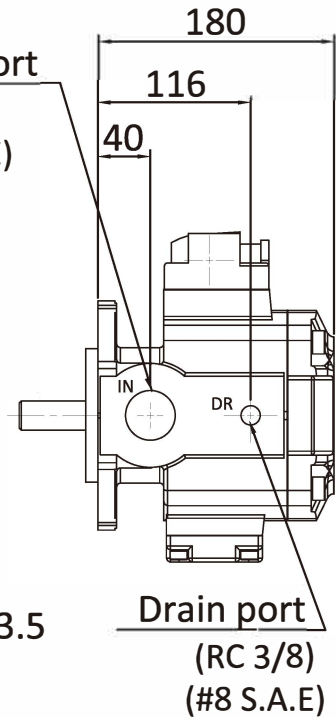
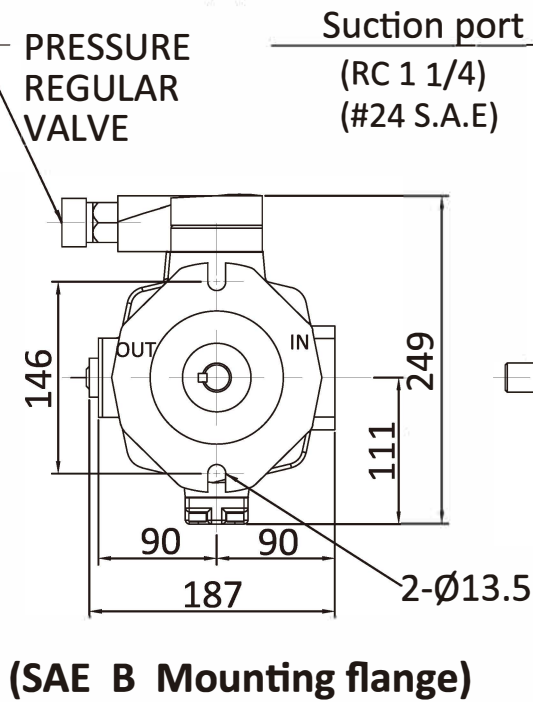
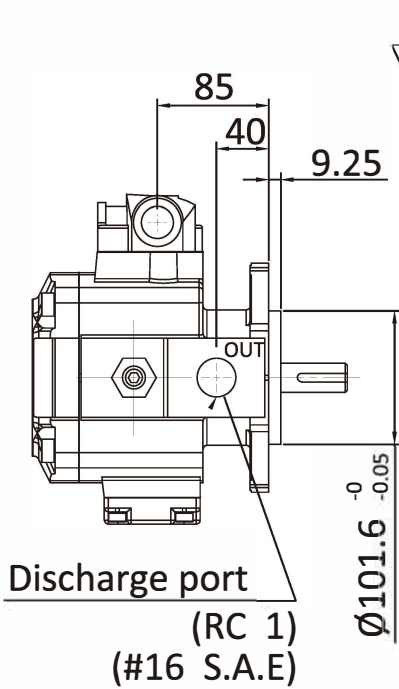
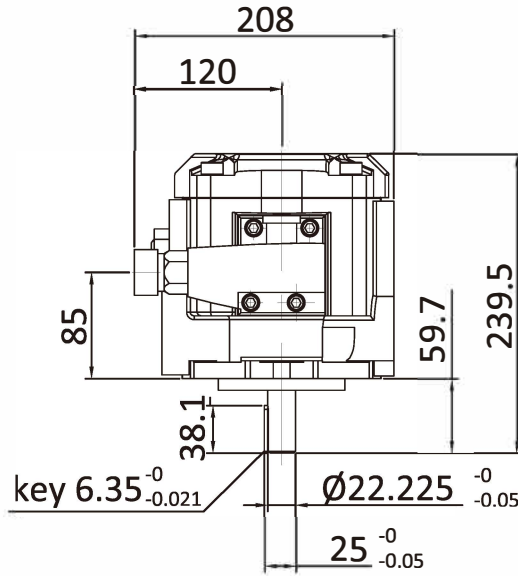
02：SAE-B - 13 Tooth Splined 16/32 dp

⑧ **管口牙規格**

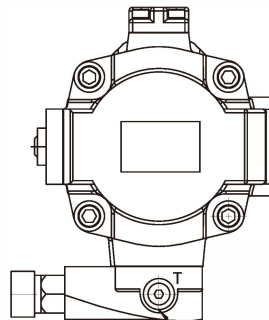
01：S=RC 1 1/4", P=RC 1", DR=RC 3/8"

02：S=#24 SAE, P=#16 SAE, DR=#8 SAE

KPV-25
KPV-32
KPV-36
KPV-40



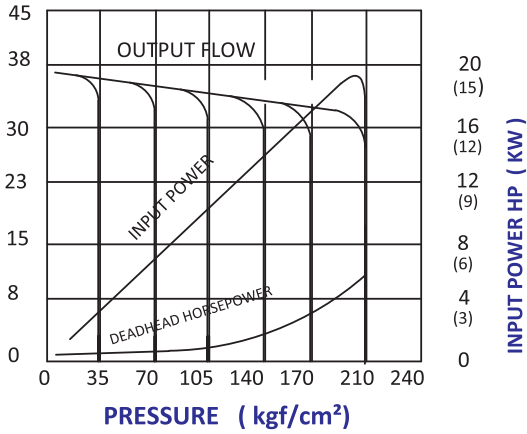
SAE-B splined shaft
 Diametral Pitch : 16/32
 Pressure Angle : 30°
 No. of Teeth : 13
NO.02-Shaft



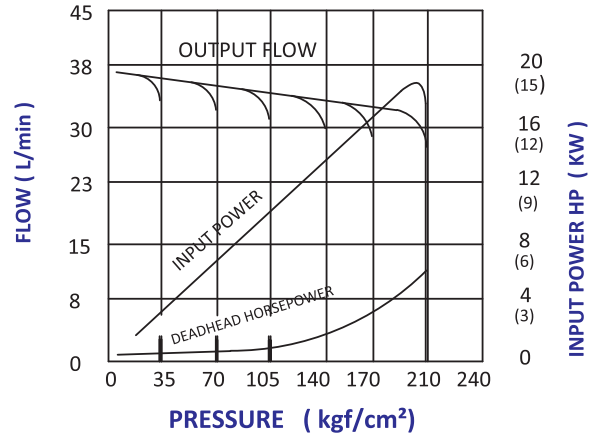
Shock Clipper port
 (RC 1/4) , (#6 S.A.E)
 * (須接獨立油管回油箱)

*Shock Clipper port
 Should be plumbed
 to tank to activate
 shock clipper

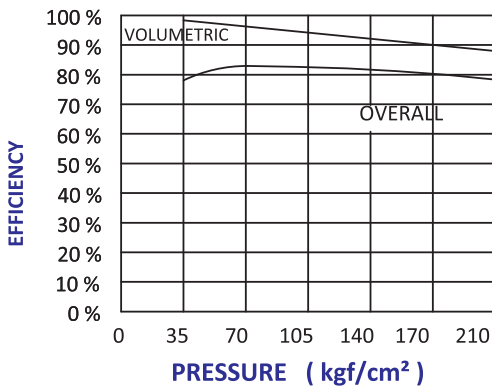
OUTPUT FLOW & POWER @ 1200rpm
25 cm³/rev



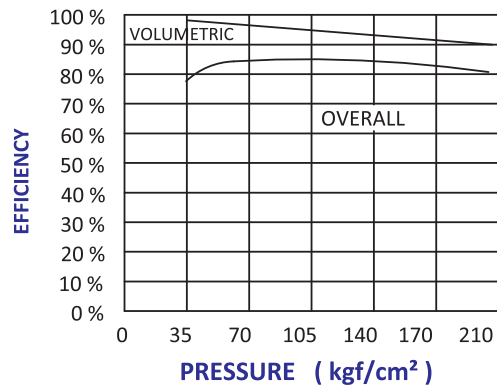
OUTPUT FLOW & POWER @ 1500rpm
25 cm³/rev



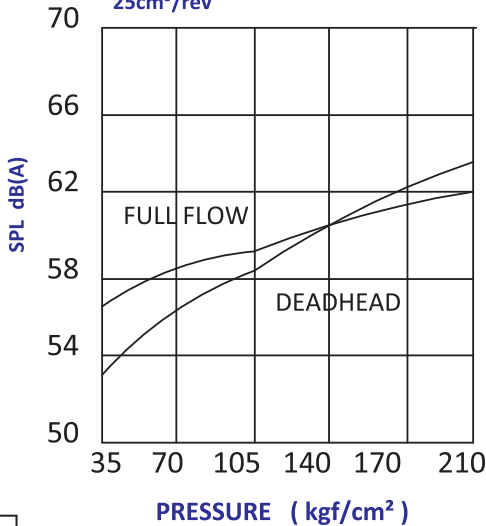
EFFICIENCY @ 1200 rpm
25 cm³/rev



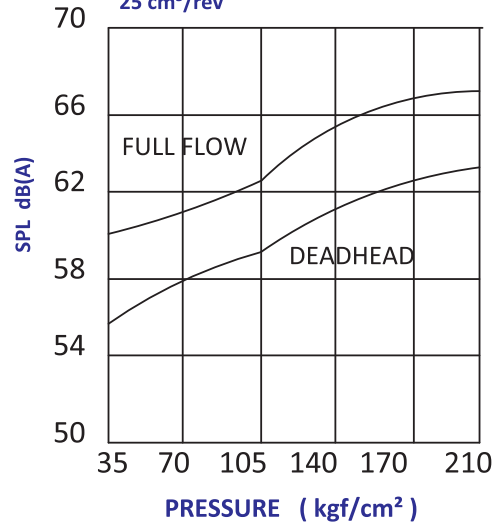
EFFICIENCY @ 1500 rpm
25 cm³/rev



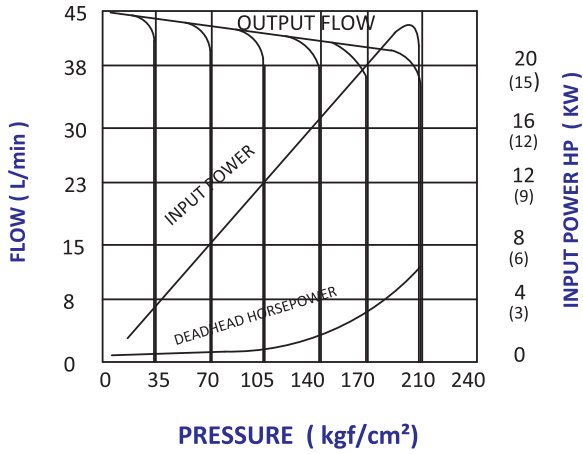
SOUND PRESSURE @ 1200rpm
25cm³/rev



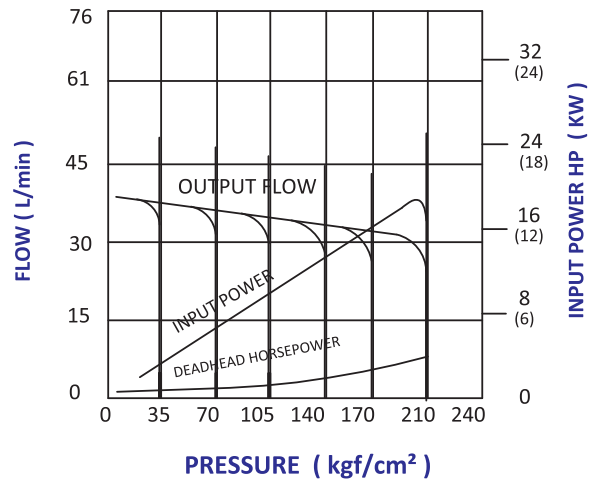
SOUND PRESSURE @ 1500rpm
25 cm³/rev



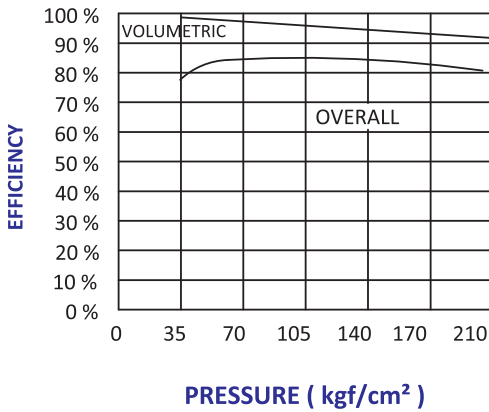
OUTPUT FLOW & POWER @ 1800rpm
25 cm³ /rev



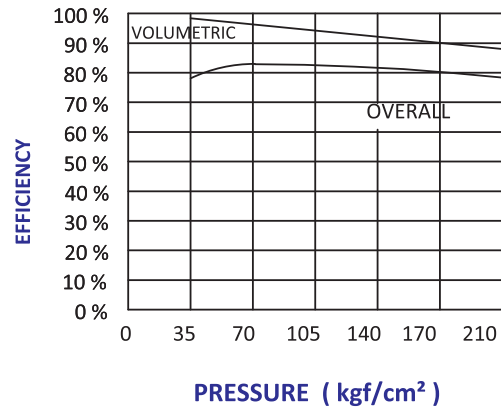
OUTPUT FLOW & POWER @ 1200rpm
32 cm³ /rev



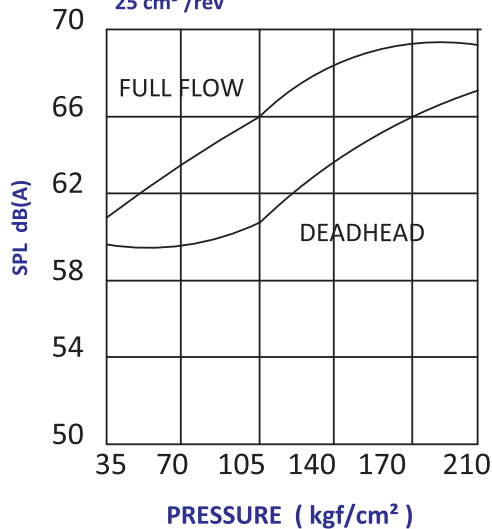
EFFICIENCY @ 1800 rpm
25 cm³ /rev



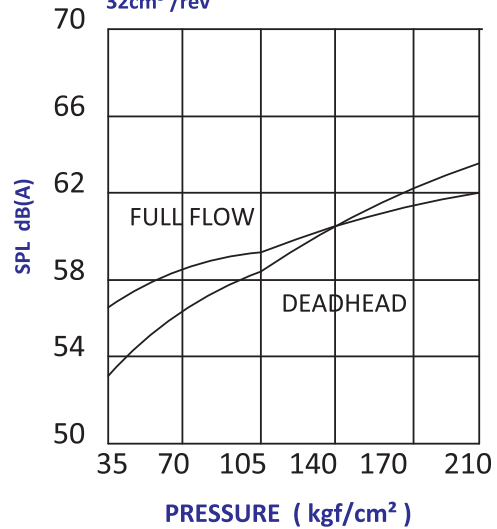
EFFICIENCY @ 1200 rpm
32 cm³ /rev



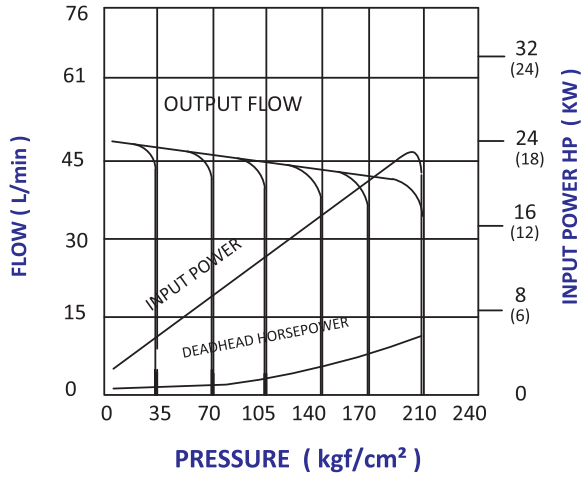
SOUND PRESSURE @ 1800rpm
25 cm³ /rev



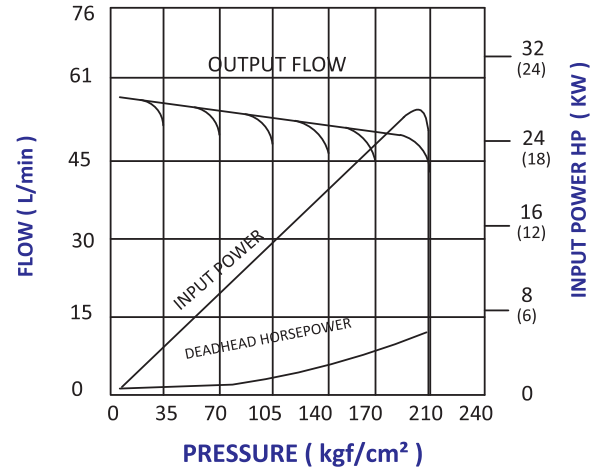
SOUND PRESSURE @ 1200rpm
32cm³ /rev



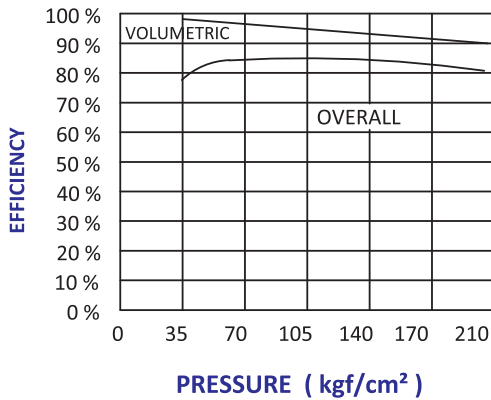
OUTPUT FLOW & POWER @ 1500rpm
32 cm³ /rev



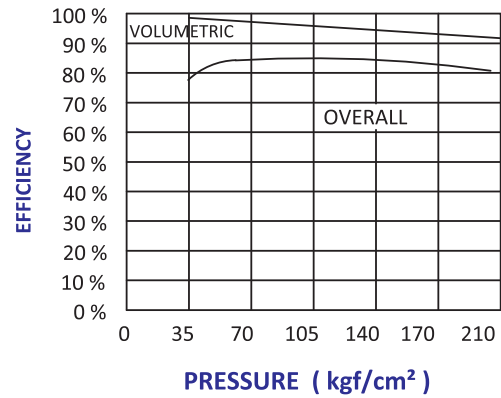
OUTPUT FLOW & POWER @ 1800rpm
32 cm³ /rev



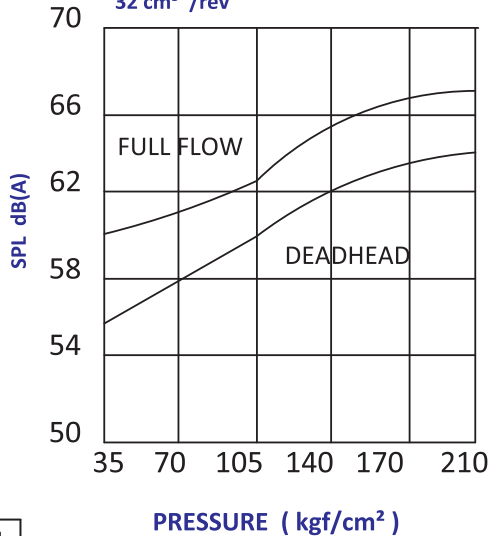
EFFICIENCY @ 1500 rpm
32 cm³ /rev



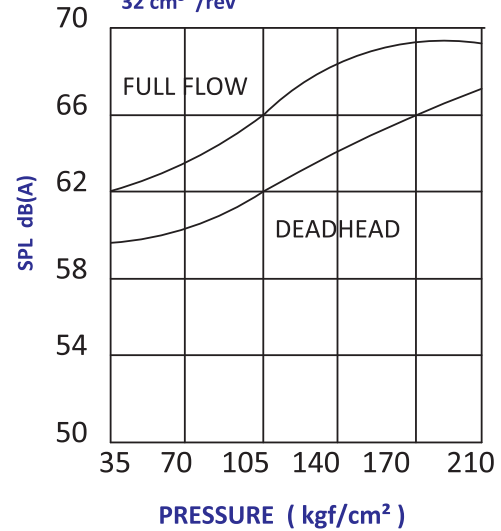
EFFICIENCY @ 1800 rpm
32 cm³ /rev



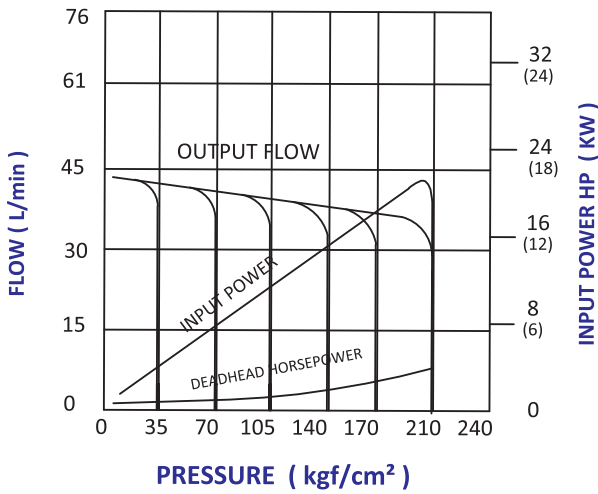
SOUND PRESSURE @ 1500rpm
32 cm³ /rev



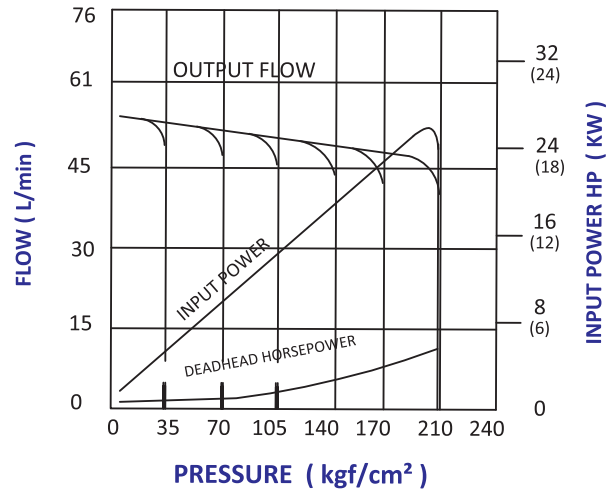
SOUND PRESSURE @ 1800rpm
32 cm³ /rev



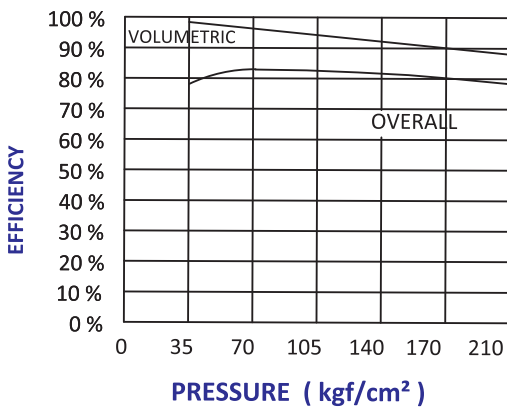
OUTPUT FLOW & POWER @ 1200rpm
36 cm³ /rev



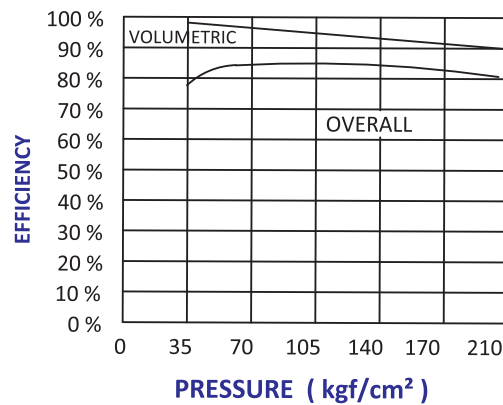
OUTPUT FLOW & POWER @ 1500rpm
36 cm³ /rev



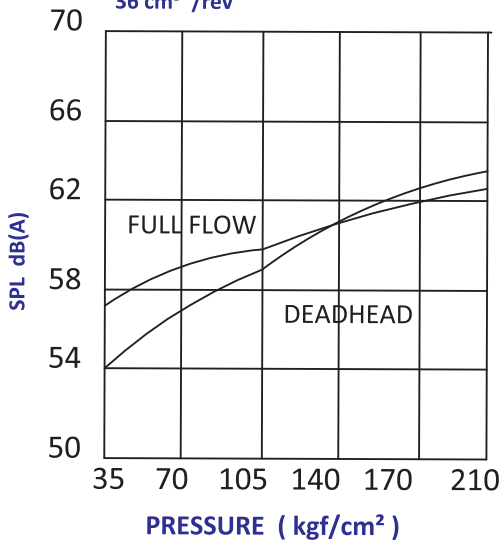
EFFICIENCY @ 1200 rpm
36 cm³ /rev



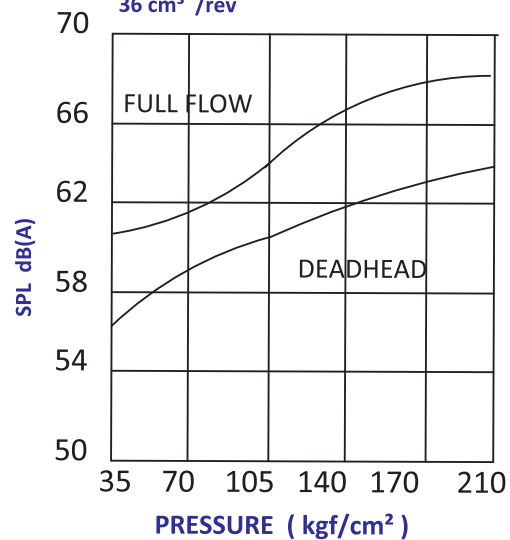
EFFICIENCY @ 1500 rpm
36 cm³ /rev



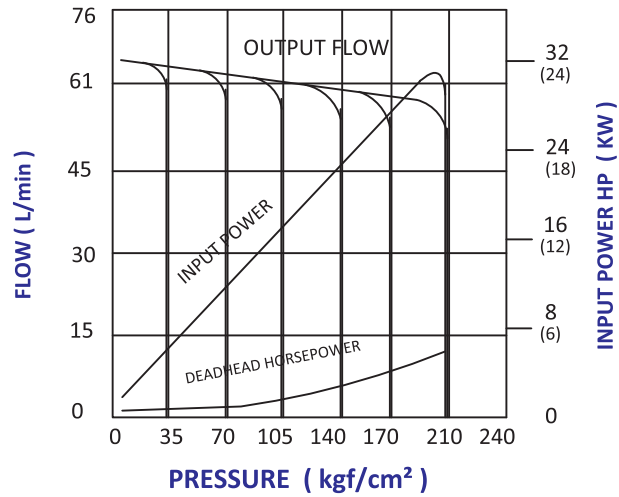
SOUND PRESSURE @ 1200rpm
36 cm³ /rev



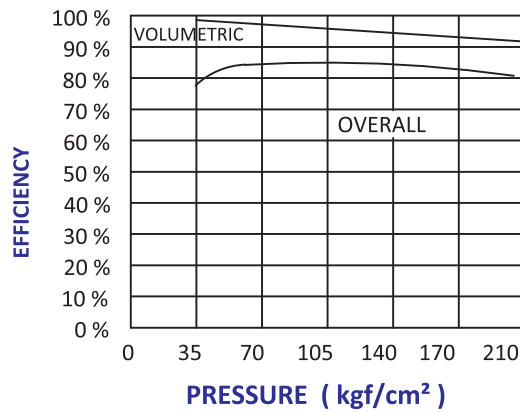
SOUND PRESSURE @ 1500rpm
36 cm³ /rev



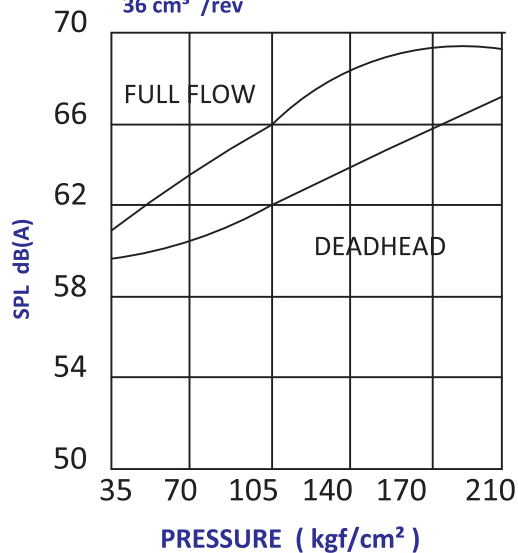
OUTPUT FLOW & POWER @ 1800rpm
36 cm³ /rev



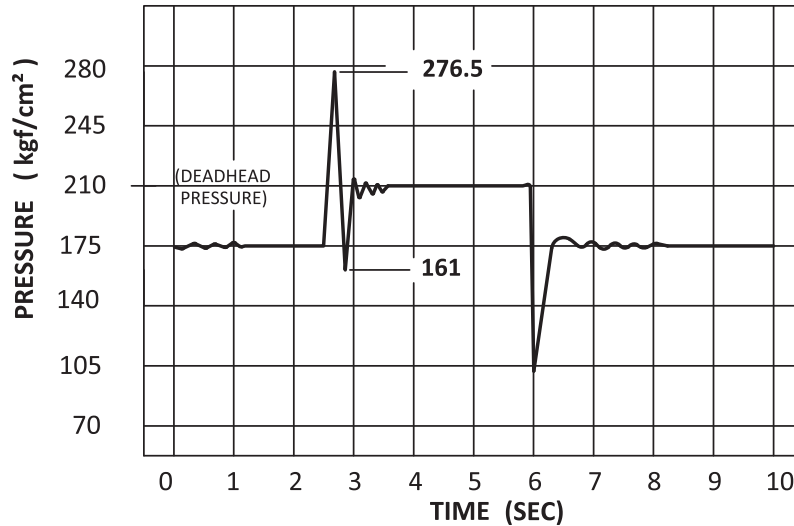
EFFICIENCY @ 1800 rpm
36 cm³ /rev



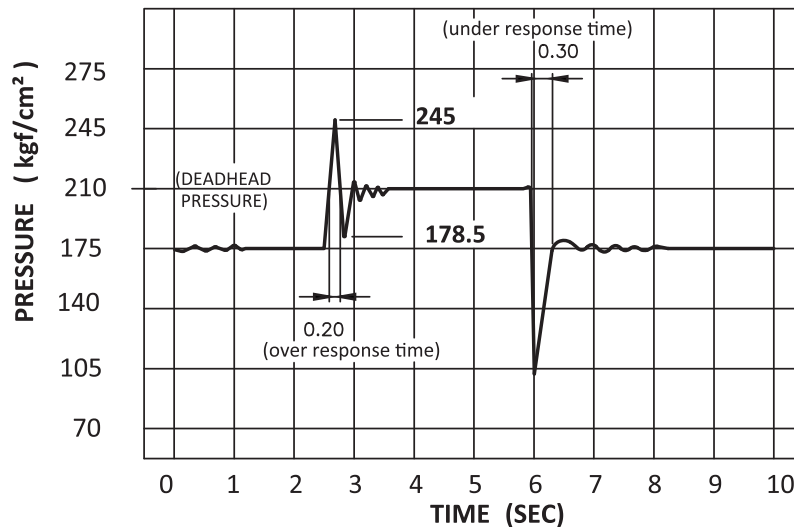
SOUND PRESSURE @ 1800rpm
36 cm³ /rev



* KPV-25 REACTION CHARACTERISTICS SHOCK CLIPPER FUNCTION



KPV- 25 Single stage compensator, plot with shock clipper **inactive**.
Response overshoot : 66.5(kgf/cm²) ; response undershoot : 49 (kgf/cm²)



KPV- 25 Single stage compensator, plot with shock clipper **active**.
1. Response overshoot: 35 (kgf/cm²) ; response undershoot: 31.5(kgf/cm²)
2. Response time (circuit dependent) : 20 ~30ms

* CASE DRAIN FLOW

SPEC.	Mpa (Kgf/cm ²)	KPV- 25 / 32 / 36 (L/min)
case drain flow while compensating @1800 rpm CASE DRAIN FLOW	7 (71.4)	2.0~3.5 (MAX)
	14 (142.8)	4.0~5.0 (MAX)
	21 (214.2)	5.0~6.0 (MAX)