

① **Series** KT6EE Series - 250 B4HW
ISO 3019-2 MOUNTING FLANGE
KT6EES Series - SAE 4 BOLTS
mounting flange J744c

② **Cam ring for " P1 " & " P2 "**
Volumetric displacement (cm³/rev)

042 = 132.3	062 = 196.7
045 = 142.4	066 = 213.3
050 = 158.5	072 = 227.1
052 = 164.8	085 = 269.8
057 = 180.7	

③ **Type of shaft (KT6EES)**
1 = Keyed (SAE CC) (KT6EE)
3 = Splined (SAE CC) 2 = Keyed (SAE CC)
4 = Splined (SAE D&E)
5 = Keyed (SAE D&E)

④ **Direction of rotation**
(view on shaft end)
R = clockwise
L = counter - clockwise

⑤ **Porting combination**
00 = standard

⑥ **Design letter**

⑦ **Seal class**
1 = S1 (for mineral oil)
4 = S4 (for fire resistant fluids)
5 = S5 (for mineral oil and fire resistant fluids)

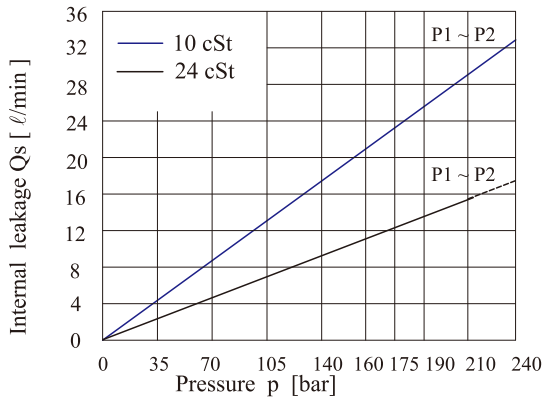
⑧ **Coupling adapter**
0 - None
2 - SAE B
3 - SAE BB

⑨ **Port connection variables**
SAE 4 bolt flange(J518c)

P1 & P2 = 1 1/2" S=4"		
	KT6EES	KT6EE/KT6EES
Type	Unc	Metric
code	00	M0

⑩ **Modifications**

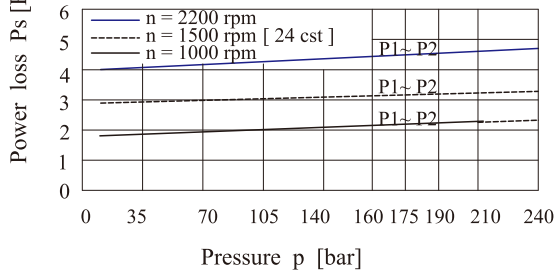
INTERNAL LEAKAGE (TYPICAL)



Do not operate pump more than 5 seconds at any speed or viscosity if internal leakage is more than 50 % of theoretical flow.

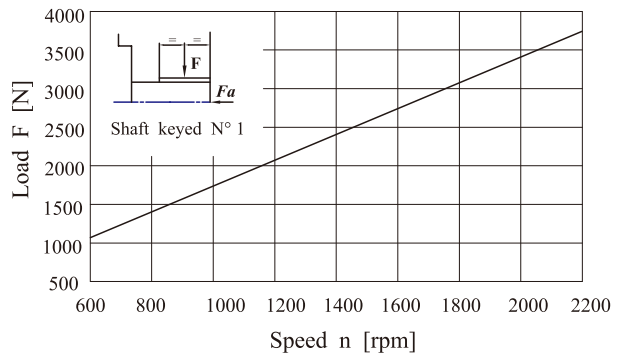
Total leakage is the sum of each section loss at its operating conditions.

HYDROMECHANICAL POWER LOSS (TYPICAL)

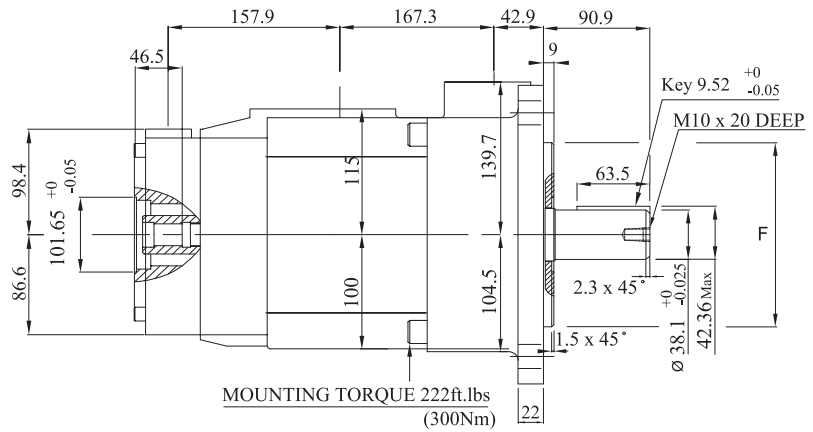
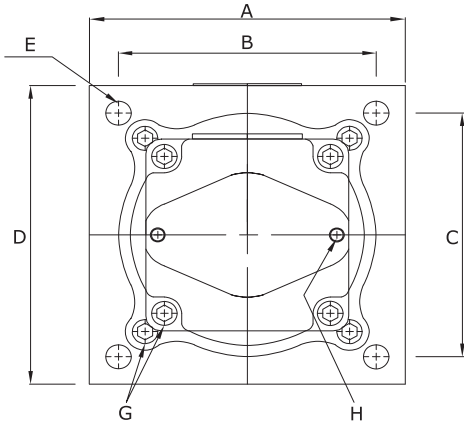


Total hydromechanical power loss is the sum of each section at its operating conditions.

PERMISSIBLE RADIAL LOAD

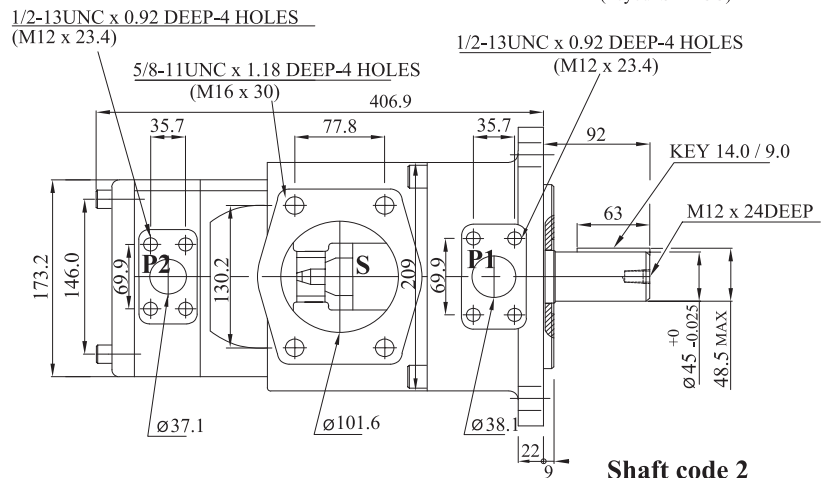


Maximum permissible axial load Fa = 2000 N



Shaft code 1
(keyed SAE CC)

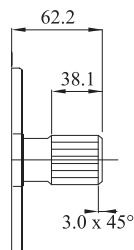
	KT6EE	KT6EES
A	273	273
B	222.7	224.5
C	222.7	224.5
D	273	273
E	4- \varnothing 22	4- \varnothing 20.6
F	\varnothing 250	\varnothing 165.1
G	Mounting torque 222 ft.lbs(300Nm)	Mounting torque 222 ft.lbs(300Nm)
H	Mounting torque 65 ft.lbs(80 Nm)	Mounting torque 65 ft.lbs(80 Nm)



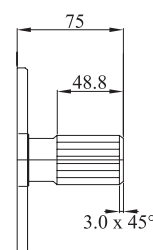
Shaft code 2
(keyed G45N ISO 3019-2)

Shaft torque limits (m ℓ /rev x bar)			
Shaft	Vi x p max.	Copling	Vi x p max.
1	90380	SAE-B	20600
2	114600	SAE-BB	32670
3	126800		
4	126800		
5	110840		

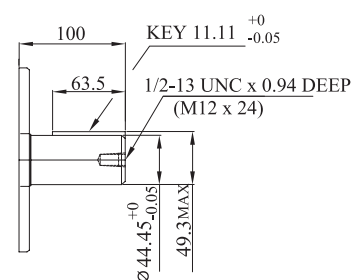
Code	Coupling adapter
0	without coupling
2	SAE B -13 teeth -pitch 16/32 Major dia (min)0.875(22.225) Minor dia (min)0.753(19.126)
3	SAE BB -15 teeth -pitch 16/32 Major dia (min)1.00(25.4) Minor dia (min)0.877(22.275)



Shaft code 3
SAE CC Splined shaft
Class 1- J498b
12/24dp. 17 teeth
30° pressureangle
Flat root side fit



Shaft code 4
SAE D&E Splined shaft
Class 1- J498b
8/16 dp. 13 teeth
30° pressureangle
Flat root side fit



Shaft code 5
(keyed SAE D&E)

OPERATING CHARACTERISTICS - TYPICAL (24 cST) (input power p (kw) for one cartridge only)

Pressure Port	Series	Volumetric Displacement Vp cm ³ /rev	Flow q & n =1500rpm (ℓ /min)			Input power p & n =1500rpm (KW)			P Max Kg/cm ²	Max r.p.m
			P=0 bar	P=140 bar	P=240 bar	P=7 bar	P=140 bar	P=240 bar		
P1 ~ P2	042	132.3	198.5	188.5	181.3	5.2	49.4	82.6	240	2200
	045	142.4	213.6	203.6	196.5	5.4	52.9	88.7		
	050	158.5	237.7	227.7	220.6	5.7	58.5	98.3		
	052	164.8	247.2	237.2	230.1	5.8	60.8	102.1		
	057	180.7	271.1	261.1	254.0	6.1	66.4	106.9		
	062	196.7	295.0	285.0	277.9	6.4	71.9	121.3		
	066	213.3	319.9	309.9	302.8	6.7	77.7	131.2		
	072	227.1	340.6	330.6	323.5	6.9	82.6	139.5		
085 ¹⁾	269.8	404.7	397.7 ²⁾		7.3	65.3 ²⁾		90	2000	

1) 085=2000 rpm. max.

2) 085=75 bar cont. 085=90 bar max. int.

Min Speed : 600 rpm