

KVM4*D \ KVM4*D1 - 138 - 1 N 00 - B 1 02 *
 ① ② ③ ④ ⑤ ⑥ ⑦ ⑧ ⑨ ⑩

① **Series external drain**

② **Series internal drain**

③ **Torque**

062 = 1.04 Nm/bar
 074 = 1.22 Nm/bar
 088 = 1.45 Nm/bar
 102 = 1.68 Nm/bar
 113 = 1.86 Nm/bar
 128 = 2.11 Nm/bar
 138 = 2.30 Nm/bar

④ **Type of shaft**

1-Keyed (SAE C)
 3-Splined (SAE C)
 S-Splined (SAE J718C)

⑤ **Rotation**

N - Bi-directional

*S = Severe duty motor
 VM4D1-VM4SD1 : Drain port is plugged

View from shaft end

CW rotation A = inlet B = outlet
 CCW rotation A = outlet B = inlet

⑥ **Porting combination**

00-standard

⑦ **Design letter**

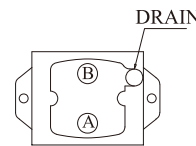
⑧ **Seal class**

1-S1 (KVM4D)
 5-S5 (KVM4SD)

⑨ **Port connections**

01 = SAE threaded port
 SAE drain
 02 = SAE 4 bolt flange
 UNC threaded - SAE drain
 04 = SAE 4 bolt flange
 UNC threaded - BSPP drain
 M4 = SAE 4 bolt flange
 metric threaded - BSPP drain

⑩ **Modifications**

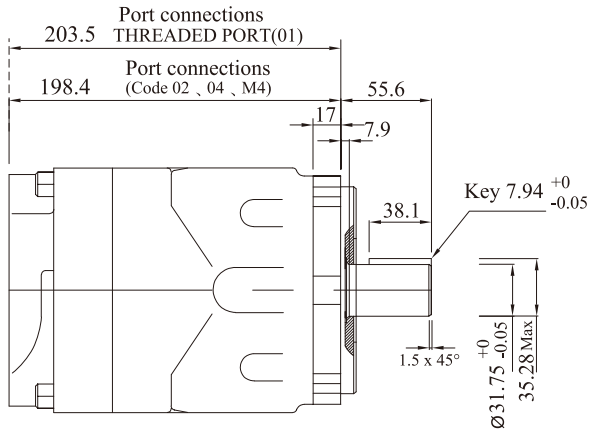


00

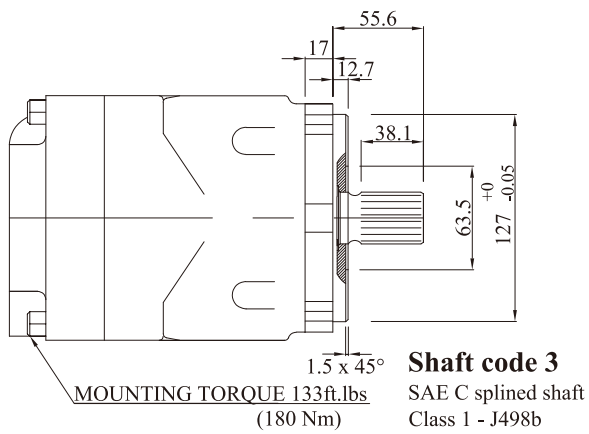
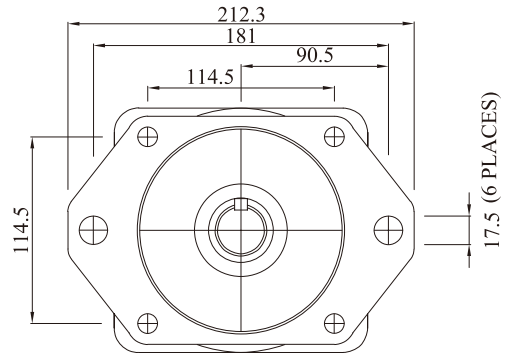
Porting combination
 00-standard

OPERATING CHARACTERISTICS - TYPICAL (24 cST)

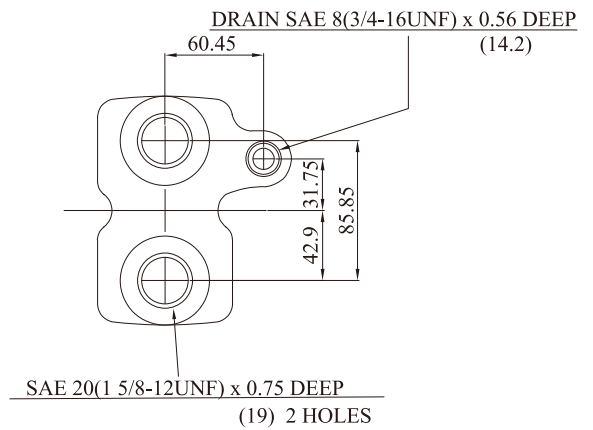
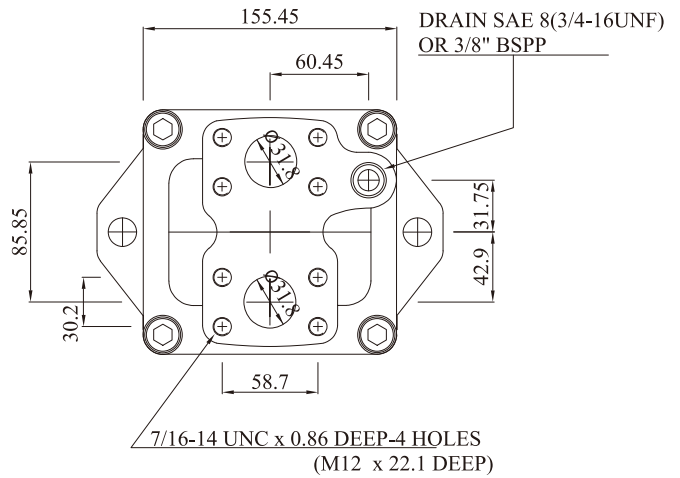
MODEL	Series	Volumetric Displacement Vi cm ³ /rev	Input flow at n=2000 rpm		Torque T n =2000 rpm		Power output n =2000 rpm		P Max Kg/cm ²	Max r.p.m
			Theoretical	at 175 bar (2500psi) Δp	at 175 bar (2500psi) Δp		at 175 bar (2500psi) Δp			
			ℓ / min	ℓ / min	in.lbs	Nm	HP	Kw		
KVM4D ∩ KVM4SD	062	65.1	130.0	154.0	1460.0	165.0	46.4	34.6	175	4000
	074	76.8	154.0	178.0	1770.0	200.0	56.2	41.9		
	088	91.1	182.0	206.0	2088.5	236.0	66.2	49.4		
	102	105.5	211.0	241.0	2336.3	264.0	74.1	55.3		
	113	116.7	233.0	257.0	2655.0	300.0	84.2	62.8		
	128	132.4	265.0	289.0	3009.0	340.0	95.5	71.2		
	138	144.4	289.0	313.0	3292.0	372.0	104.5	77.9		



Shaft code 1
(keyed SAE B)



Shaft code 3
SAE C splined shaft
Class 1 - J498b
12/24 dp. 14 teeth
30° pressure angle
flat root side fit



SAE THREADED PORT