

KT6DRS - 035 - 1 R 00 - A 10 - A 1 ..

① ② ③ ④ ⑤ ⑥ ⑦ ⑧ ⑨ ⑩ ⑪

① **Series**

② **Cam ring**

Volumetric displacement (cm³/rev)

014= 47.6	035= 111.0
017= 58.2	038= 120.3
020= 66.0	042= 136.0
024= 79.5	045= 145.7
028= 89.7	050= 158.0
031= 98.3	061= 190.5

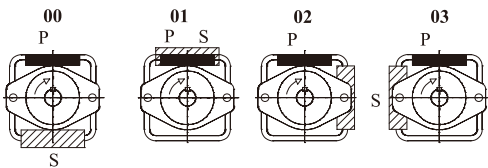
③ **Type of shaft**

- 1 = keyed (SAE C)
- 2 = keyed (SAE CC)
- 3 = splined (SAE C)
- 5 = keyed (no SAE)

④ **Direction of rotation**

- (view on shaft end)
- R=clockwise
- L=counter-clockwise

⑤ **Porting combination**



⑥ **Adapter**

- 0 = None B = SAE B
- A = SAE A C = SAE C

⑦ **Coupling**

- 1 = SAE A 4 = SAE C
- 2 = SAE B 5 = SAE J498b
- 3 = SAE BB 16/32 - 11 teeth

⑧ **Porting adapter**

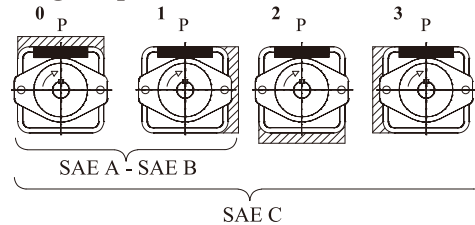
⑨ **Design letter**

⑩ **Seal class**

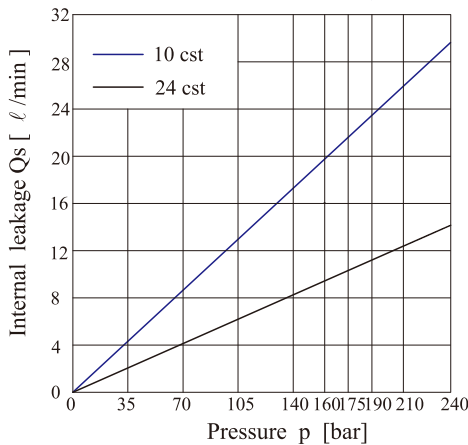
- 1=S1 (for mineral oil)
- 4=S4 (for fire resistant fluids)
- 5=S5 (for mineral oil and fire resistant fluids)

⑪ **Modification**

Porting adapter

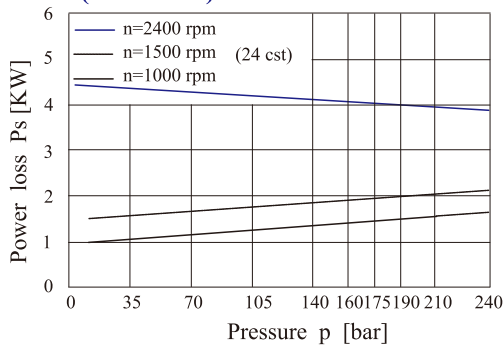


INTERNAL LEAKAGE (TYPICAL)

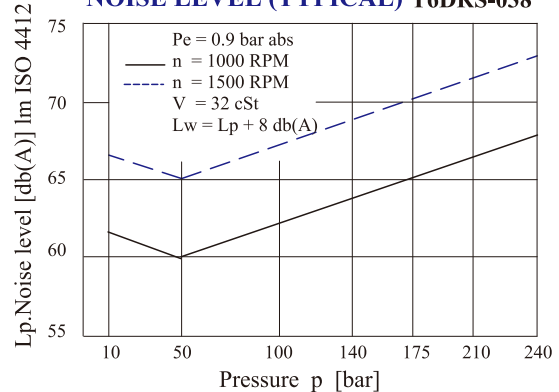


Do not operate the pump more than 5 seconds at any speed or viscosity of internal leakage is more than 50% of theoretical flow.

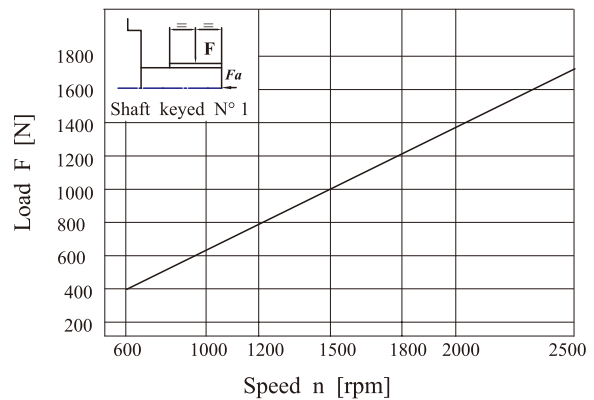
HYDROMECHANICAL POWER LOSS (TYPICAL)



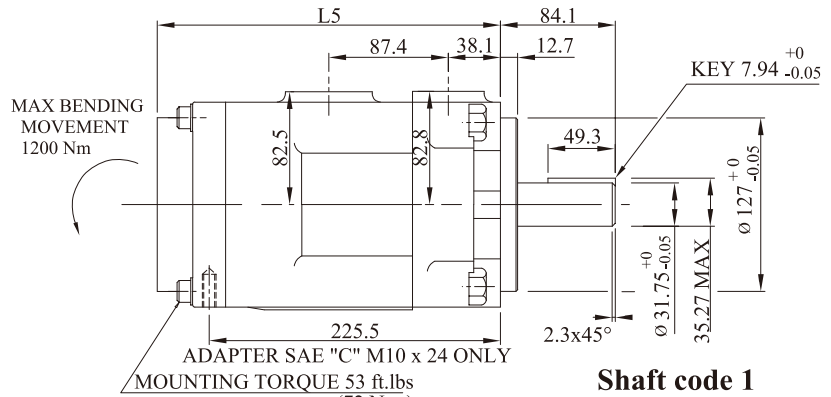
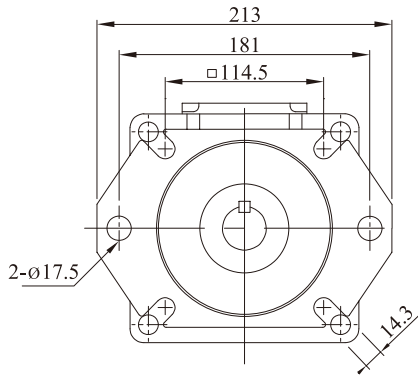
NOISE LEVEL (TYPICAL) T6DRS-038



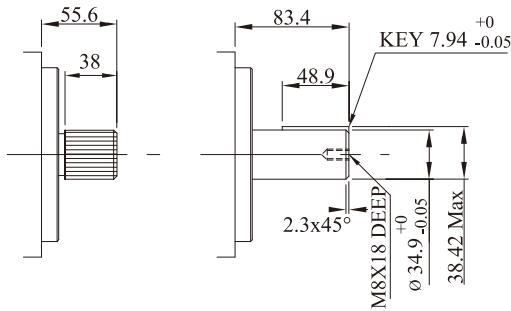
PERMISSIBLE RADIAL LOAD



Maximum permissible axial load Fa = 1200 N

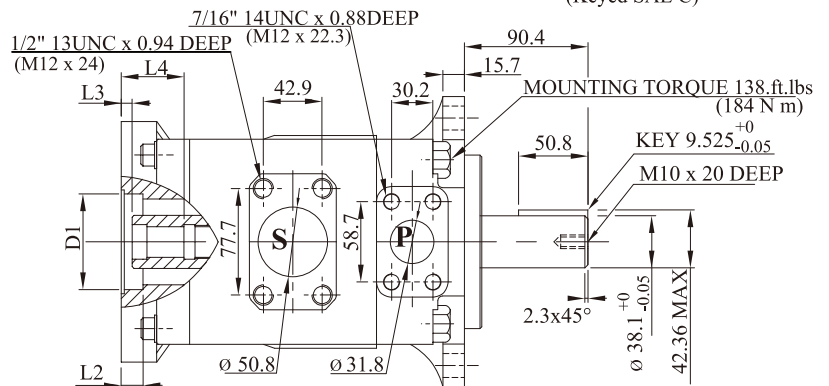


Shaft code 1
(Keyed SAE C)



Shaft code 3
SAE C splined shaft
Class 1-J498 b
12/24 dp.-14 teeth
30° pressure angle
flat root side fit

Shaft code 5
(Keyed no SAE)



Shaft code 2
(Keyed SAE CC)

Shaft torque limits (ml/rev x bar)			
Shaft	V x p max.	Coupling drive	V x p max.
1	43240	SAE A	11000
2	66036	SAE B	20600
3	61200	SAE BB	32670
5	55600	SAE C	37390
		SAE -11 teeth	15850

Adapter	SAE "A"			SAE "B"		SAE "C"
	Coupling drive	SAE A	SAE 11 teeth	SAE B	SAE BB	SAE C
Number of teeth	9	11	13	13	15	14
Pitch	16/32	16/32	16/32	16/32	16/32	12/24
Pressure angle	30°	30°	30°	30°	30°	30°
Major dia.(min)	15.875	19.05	22.225	22.225	25.400	31.750
Minor dia.(min)	12.700	16.0	19.134	19.134	22.268	27.585

Adapter	D1	D2	P	L1	L2	L3	L4	L5
SAE A	82.65/82.60	M10	24	106.4	11.0	7.9	32.0	237.0
SAE B	101.70/101.65	M12	28	146.0	16.0	7.9	46.0	251.0
SAE C	127.10/127.05	M16	-	181.0	16.0	7.9	56.0	261.0

OPERATING CHARACTERISTICS - TYPICAL [24 cSt]

Series	Volumetric Displacement Vp	Flow Q (l/min) & n = 1500 RPM			Input power P (kw) & n = 1500 RPM			P Max Kg/cm ²	Max r.p.m	
		P = 0 bar	P = 140 bar	P = 240 bar	P = 7 bar	P = 140 bar	P = 240 bar			
014	47.6 ml/rev	71.4	62.1	55.9	2.3	18.5	30.6	240	2500	
017	58.2 ml/rev	87.3	78.0	71.8	2.5	22.2	37.0			
020	66.0 ml/rev	99.0	89.7	83.5	2.8	24.9	41.7			
024	79.5 ml/rev	119.3	110.0	103.8	3.0	29.6	49.8			
028	89.7 ml/rev	134.5	125.2	119.0	3.2	33.2	55.9			
031	98.3 ml/rev	147.5	138.1	131.9	3.3	36.2	61.0			
035	111.0 ml/rev	166.5	157.2	151.0	3.5	40.7	68.7			
038	120.3 ml/rev	180.4	171.1	164.9	3.7	43.9	74.3			
042 1)	136.0 ml/rev	204.0	194.7	188.5	4.0	49.4	83.7			
045 1)	145.7 ml/rev	218.5	209.2	203.0	4.1	52.8	89.5			
050 1)	158.0 ml/rev	237.0	227.7	224.0 2)	4.4	57.0	85.0 2)			210
061 1)	190.5 ml/rev	285.7	278.0 3)	—	4.6	60.6 3)	—			120

1) 042 - 045 - 050 - 061 = 2200 R.P.M.max 2) 050 = 210 bar max. int. 3) 061 = 120 bar max. int. Min Speed : 600 rpm