

① Series

② Cam ring for " P1 "

Volumetric displacement (cm³/rev)

B14=43.9	B35=113.4
B17=55.0	B38=120.6
B20=66.0	B42=137.5
B24=81.1	B45=145.7
B28=89.9	B50=157.9
B31=99.1	

Cam ring for " P2 " " P3 "

003=10.8	017=58.3
005=17.2	020=63.8
006=21.3	022=70.3
008=26.4	025=79.3
010=34.1	028=88.8
012=37.1	031=100.0
014=46.0	

③ Type of shaft

- 1 - Keyed (no SAE)
- 2 - Keyed (SAE CC)
- 3 - Splined (SAE C)
- 4 - Splined (SAE CC)
- 6 - Splined (no SAE)

④ Direction of rotation(view on shaft end)

- R=clockwise
- L=counter-clockwise

⑤ Porting combination

00-standard

⑥ Design letter

⑦ Seal class

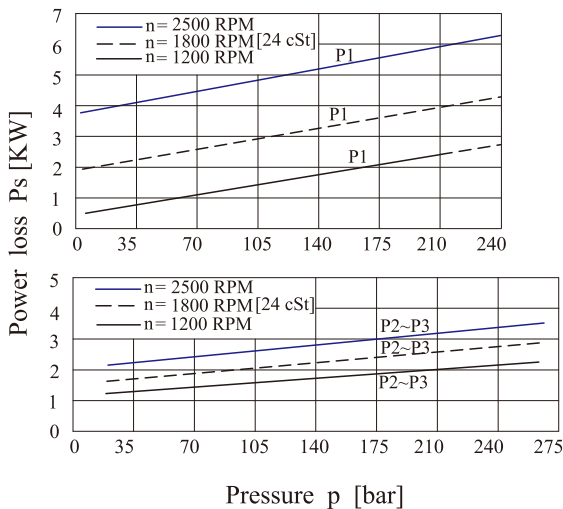
- 1-S1 (for mineral oil)
- 4-S4 (for fire resistant fluids)
- 5-S5 (for mineral oil and fire resistant fluids)

⑧ Mounting W/connection variables

	Unc		Metric	
	00	01	M0	M1
P3	1"	3/4"	1"	3/4"

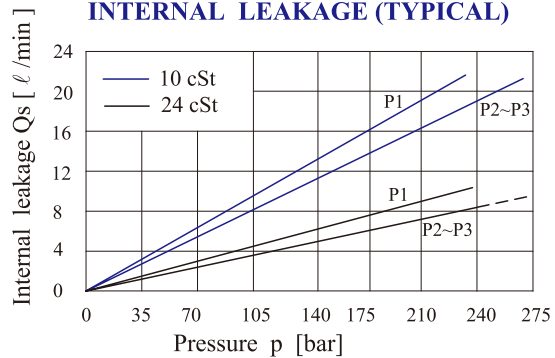
⑨ Modifications

HYDROMECHANICAL POWER LOSS (TYPICAL)

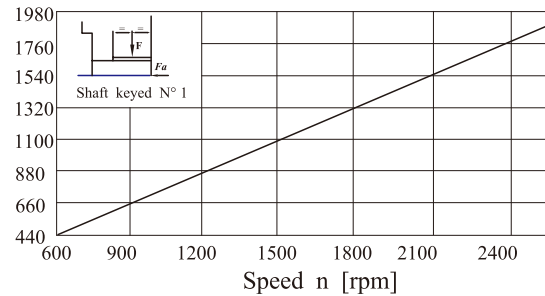


Total hydromechanical power loss is the sum of each section at its operating conditions.

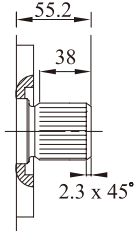
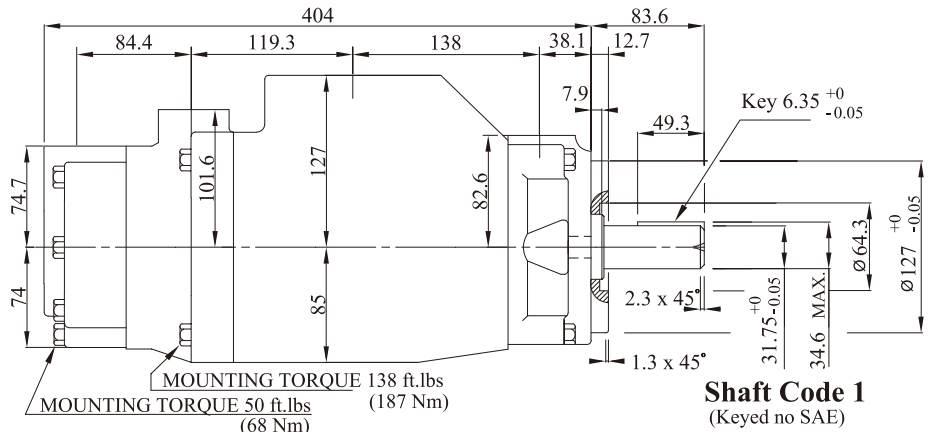
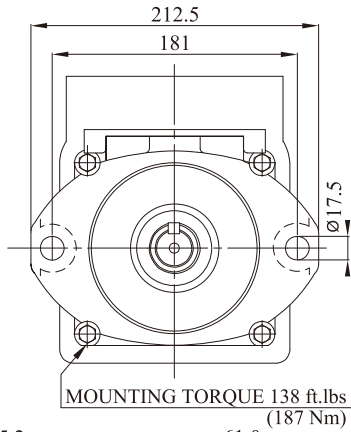
INTERNAL LEAKAGE (TYPICAL)



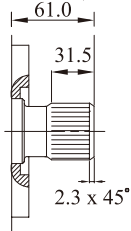
PERMISSIBLE RADIAL LOAD



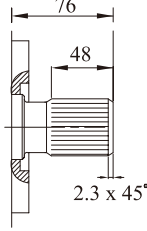
Maximum permissible axial load Fa = 1200 N



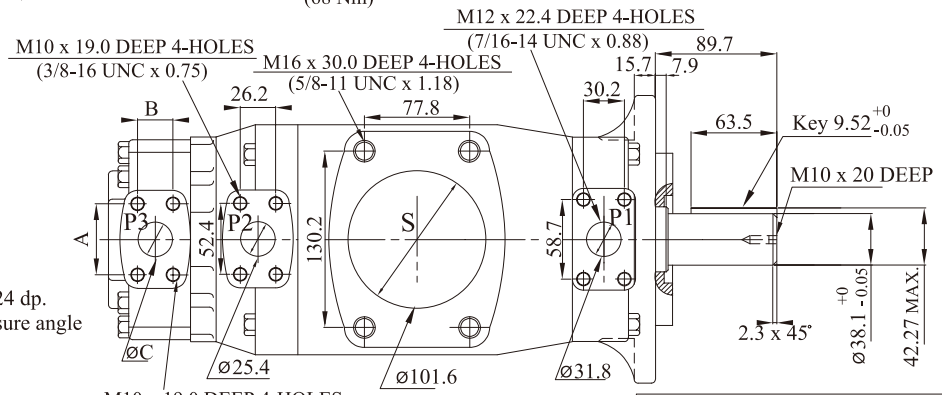
Shaft Code 3
SAE C
Class 1-J498 b 12/24 dp.
14 teeth
30° pressure angle



Shaft Code 4
SAE CC
Class 1-J498 b 12/24 dp.
17 teeth 30% pressure angle



Shaft Code 6
no SAE
Class 1-J498 b 12/24 dp.
14 teeth
30° pressure angle



Shaft Code 2
(Keyed SAE CC)

PORT	CODE	A	B	C
P3	00&M0	2.06(52.4)	1.03(26.2)	1.0(25.4)
	01&M1	1.874(47.6)	0.874(22.2)	0.75(19.05)

Shaft torque limits (m/rev x bar)

Shaft	Vp x p max.(P1+P2+P3)
1	43240
2	66500
3	61200
4	66500

OPERATING CHARACTERISTICS - TYPICAL (24 cST) (input power p (kw) for one cartridge only)

Pressure Port	Series	Volumetric Displacement Vp cm ³ /rev	Flow q & n=1800rpm (l/min)			Input power p & n=1800rpm (KW)			P Max Kg/cm ²	Max r.p.m
			P=0 bar	P=140 bar	P=250 bar	P=7 bar	P=140 bar	P=250 bar		
P1	B14	43.9	79.1	72.5	67.3	2.6	20.7	35.0	250	2500
	B17	55.0	98.8	92.3	87.0	2.8	25.3	43.0		
	B20	66.0	118.6	112.0	106.8	3.0	29.8	50.9		
	B24	81.1	145.8	139.2	134.0	3.4	36.1	61.9		
	B28	89.9	161.8	155.2	150.0	3.5	39.7	68.3		
	B31	99.1	178.3	171.7	166.5	3.7	43.6	75.0		
	B35	113.4	203.9	197.2	192.0	4.0	49.4	85.3		
	B38	120.6	216.8	210.2	204.9	4.2	52.4	90.5		
	B42	137.5	247.2	240.6	235.4	4.5	59.4	102.7		
	B45	145.7	261.9	253.6	246.8	5.0	62.4	108.7		
B50	157.9	284.1	275.8	271.3 1)	5.3	67.5	100.3 1)	210	2200	
P2~P3	Series	cm ³ /rev	P=0 bar	P=140 bar	P=300 bar	P=7 bar	P=140 bar	P=300 bar	275	2500
	003	10.8	19.6	14.6	—	1.57	6.30	—		
	005	17.2	30.9	26.0	16.44	1.70	8.94	17.88		
	006	21.3	38.3	33.4	21.6	1.78	10.64	21.6		
	008	26.4	47.4	42.6	30.72	1.89	12.75	26.16		
	010	34.1	61.3	56.4	44.64	2.06	15.94	33.0		
	012	37.1	66.7	61.8	50.04	2.11	17.18	35.4		
	014	46.0	82.7	77.8	66.0	2.30	20.87	43.8		
	017	58.3	104.8	99.9	88.2	2.55	25.95	54.84		
	020	63.8	114.7	109.8	98.04	2.66	28.23	59.76		
	022	70.3	126.4	121.5	109.8 2)	2.80	30.92	60.36 2)		
	025	79.3	142.5	137.6	—	2.99	34.64	—		
	028	88.8	159.6	154.7	—	3.18	38.58	—		
031	100.0	179.7	174.9	—	3.41	43.21	—			

1) B50=210 bar max. int. 2) 022=240 bar max. int.

Min Speed : 600 rpm