

**KT7QCC** 1 W - 022 - 1 R 00 - B 1 00 \*  
 ① ② ③ ④ ⑤⑥⑦ ⑧⑨⑩⑪

① **Series**

② **Mounting**

- 1 - SAE B
- 2 - SAE C

③ **Use for severe duty shaft only**

④ **Cam ring for "P1" "P2"**

Volumetric displacement (cm<sup>3</sup>/rev)

005 = 17.2	017 = 58.3
006 = 21.3	020 = 63.8
008 = 26.4	022 = 70.3
010 = 34.1	025 = 79.3
012 = 37.1	028 = 88.8
014 = 46.0	031 = 100.0

⑤ **Type of shaft**

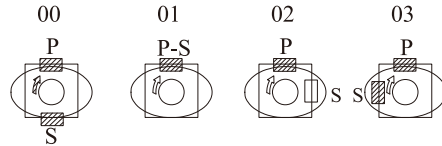
- 1 = keyed (no SAE)      **Severe duty**
- 3 = Splined (SAE BB)    2 = keyed (SAE BB)
- 5 = Splined (SAE B)

⑥ **Direction of rotation**

(view on shaft end)  
 R = clockwise  
 L = counter - clockwise

⑦ **Porting combination**

00 = standard



**S=Suction port      P=Pressure port**

⑧ **Design letter**

⑨ **Seal class**

- 1 = S1 (for mineral oil)
- 4 = S4 (for fire resistant fluids)
- 5 = S5 (for mineral oil and fire resistant fluids)

⑩ **Mounting W/connection variables**

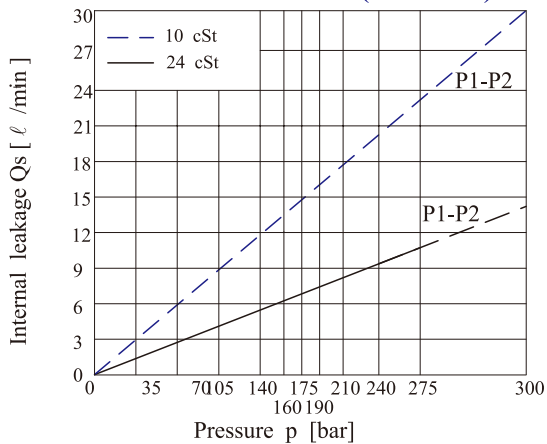
	P1=1" S=3"		P1=1" S=2 1/2"	
CODE	P2 1"	3/4" 1)	P2 1"	3/4" 1)
UNC	00	01	10	11
METRIC	0M	W0	1M	W1

1) for 46 ml/rev max.

2) for 126 ml/rev max.

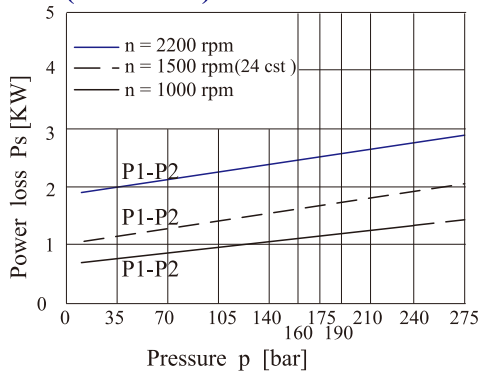
The large cartridge must be always mounted in the front.

**INTERNAL LEAKAGE (TYPICAL)**

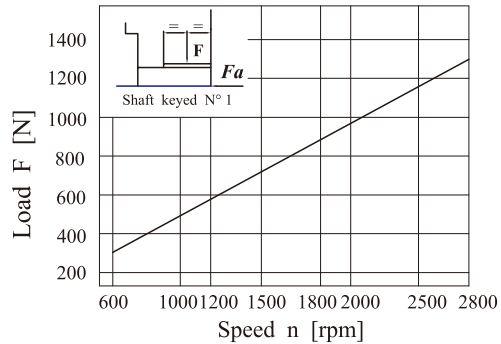


Do not operate pump more than 5 seconds at any speed or viscosity if internal leakage is more than 50 % of theoretical flow.

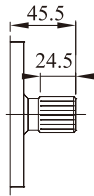
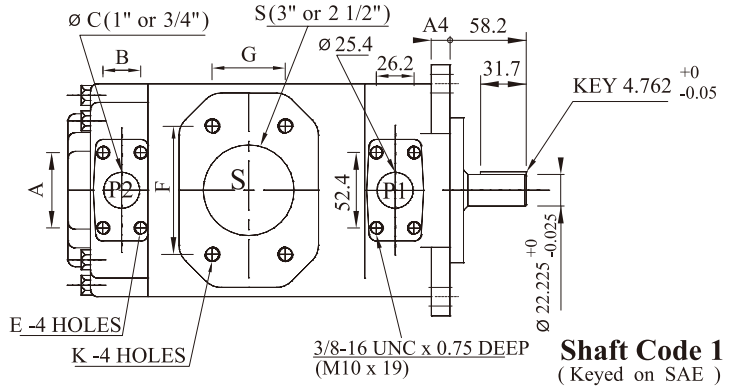
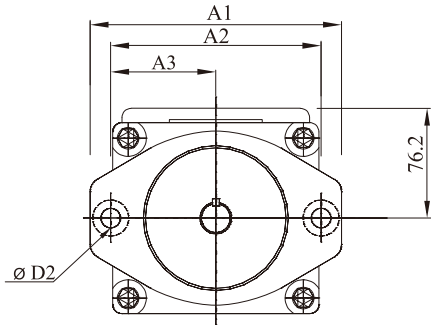
**HYDROMECHANICAL POWER LOSS (TYPICAL)**



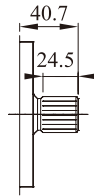
**PERMISSIBLE RADIAL LOAD**



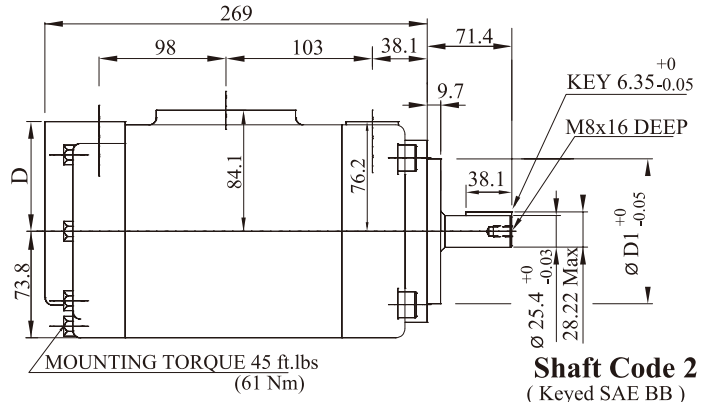
Maximum permissible axial load Fa = 800 N



**Shaft code 3**  
SAE BB Splined shaft  
class 1 - J498 b 16/32  
dp. -15 teeth 30°  
pressure angle. Flat root  
side fit.



**Shaft code 5**  
SAE B Splined shaft  
class 1 - J498 b 16/32  
dp. -13 teeth 30°  
pressure angle. Flat root  
side fit.



Alternate Port								
S = 3"				S = 2 1/2"				
F	106.4				88.9			
G	61.9				50.8			
ØH	76.2				63.5			
Code	00	01	0M	W0	10	11	1M	W1
A	52.4	47.7	52.4	47.7	52.4	47.7	52.4	47.7
B	26.2	22.4	26.2	22.4	26.2	22.4	26.2	22.4
ØC	25.4	19.0	25.4	19.0	25.4	19.0	25.4	19.0
D	74.7	76.2	74.7	76.2	74.7	76.2	74.7	76.2
E	3/8"-16UNCx19 deep		M10x19 deep		3/8"-16UNCx19 deep		M10x19 deep	
K	5/8"-11UNCx28.4 deep		M16x28.4 deep		1/2"-13UNCx23.9 deep		M12x24.0 deep	

Shaft torque limits(ml/rev x bar)		
Pump	Shaft	Vp x p max.P1+P2
KT7QCC	1	14300
	2	21420
	3	32670
	5	20600

	KT7QCC1	KT7QCC2
Mounting	SAE B	SAE C
Ø D1	101.6	127
Ø D2	14.3	17.5
A1	174.5	212.5
A2	146	181
A3	73	90.5
A4	12.7	15.7

### KT7QCC OPERATING CHARACTERISTICS - TYPICAL [24 cSt]

(input power p (kw) for one cartridge only)

Pressure port	Series	Volumetric Displacement Vp	Flow qve [ l/min ]1500rpm				Input power P [KW]1500rpm				P Max Kg/cm <sup>2</sup>	Max r.p.m	
			P = 0 bar	P =140 bar	P =240 bar	P =300 bar	P =7 bar	P =140 bar	P =240 bar	P =300 bar			
P1 & P2	005	17.2ml/rev	25.8	21.5	17.7	13.7	1.4	7.5	12.2	14.9	300	2800	
	006	21.3ml/rev	31.9	26.5	22.0	18.0	1.5	8.9	14.7	18.0			
	008	26.4ml/rev	39.6	34.1	29.6	25.6	1.6	10.7	17.7	21.8			
	010	34.1ml/rev	51.1	45.7	41.2	37.2	1.7	13.4	22.3	27.5			
	012	37.1ml/rev	55.6	50.2	45.7	41.7	1.7	14.4	24.1	29.8			
	014	46.0ml/rev	69.0	63.5	59.0	55.0	1.9	17.6	29.5	36.5			
	017	58.3ml/rev	87.4	82.0	77.5	73.5	2.1	21.9	36.9	45.7			
	020	63.8ml/rev	95.7	90.2	85.7	81.7	2.2	23.8	40.2	49.8			
	022	70.3ml/rev	105.4	100.0	95.5	91.5 2)	2.3	26.1	44.1	50.3 2)			275
	025 1)	79.3ml/rev	118.9	113.5	109.0 3)	—	2.5	29.2	49.5 3)	—			240
	028 1)	88.8ml/rev	133.2	127.7	124.5 4)	—	2.8	32.7	48.5 4)	—	210	2500	
031 1)	100.0ml/rev	150.0	144.5	141.3 4)	—	2.8	36.5	54.4 4)	—				

1) 025 - 028 - 031 = 2500 rpm. max  
3) 025 = 240 bar max. int.

2) 022 = 275 bar max. int.  
4) 028 - 031 = 210 bar max. int.

Min Speed : 600 rpm