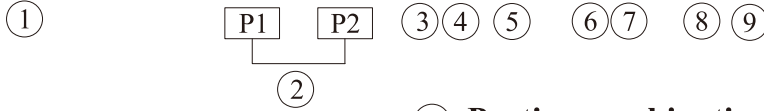


KT7BB/KT7BBS - B08 - B08 - 1 R 00 - A 1 - 00 *



① KT7BB series-100 A2 HW
iso 2 bolts 3019-2 Mounting flange
KT7BBS series-SAE B HW 2 bolts
Mounting flange J744

② **Cam ring for " P1 " " P2 "**
Volumetric displacement (cm₃/rev)

| | |
|----------|----------|
| B02=5.7 | B09=28.0 |
| B03=9.8 | B10=31.8 |
| B04=12.8 | B11=34.9 |
| B05=15.9 | B12=40.9 |
| B06=19.8 | B14=45.1 |
| B07=22.5 | B15=50.0 |
| B08=24.9 | |

③ **Type of shaft KT7BBS**

- 1-Keyed(no SAE)
- 2-Keyed(SAE BB)
- 3-splined (SAE B)
- 4-splined(SAE BB)

Type of shaft KT7BB/KT7BBS

- 5-Keyed(ISO R775)

④ **Direction of rotation(view on shaft end)**

- R=clockwise
- L=counter-clockwise

⑤ **Porting combination**
00-standard

⑥ **Design letter**

⑦ **Seal class**

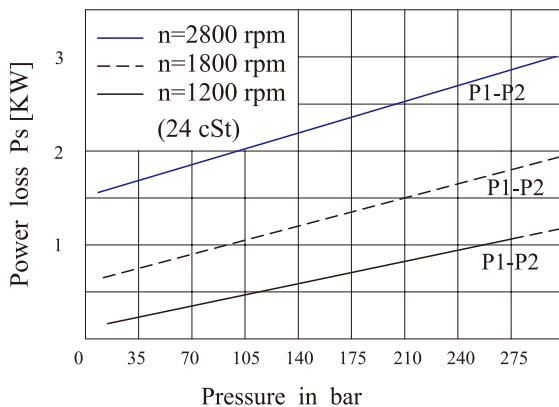
- 1-S1 (for mineral oil)
- 4-S4 (for fire resistant fluids)
- 5-S5 (for mineral oil and fire resistant fluids)

⑧ **Mounting W/connection variables**

| | Unc | | Metric | |
|----|--------|--------------|--------|------|
| | KT7BBS | KT7BB/KT7BBS | M0 | M1 |
| | 00 | 01 | | |
| P1 | 1" | 3/4" | 1" | 3/4" |

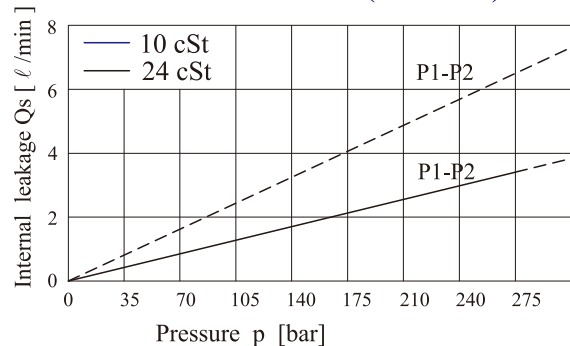
⑨ **Modifications**

HYDROMECHANICAL POWER LOSS (TYPICAL)

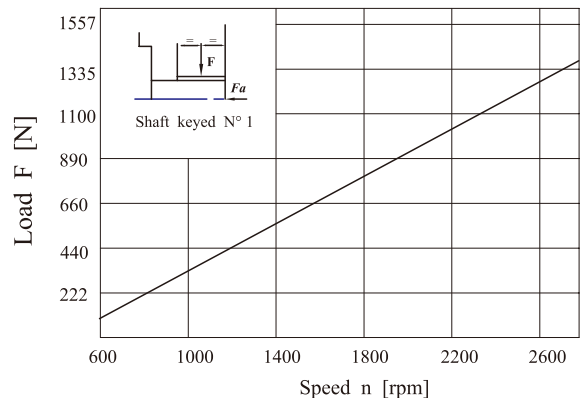


Total hydromechanical power loss is the sum of each section at its operating conditions.

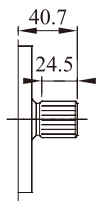
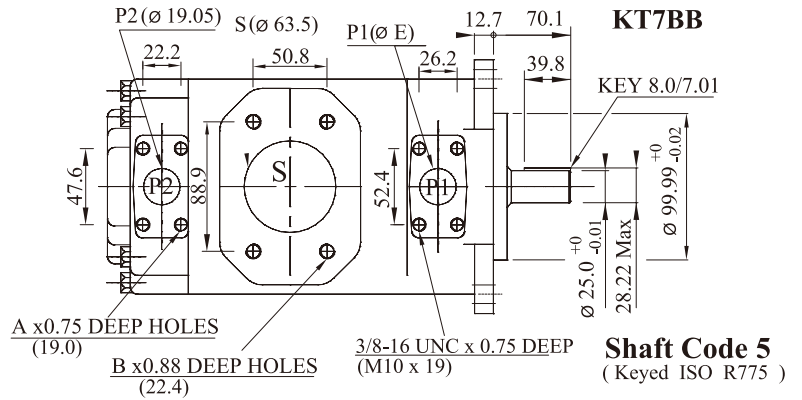
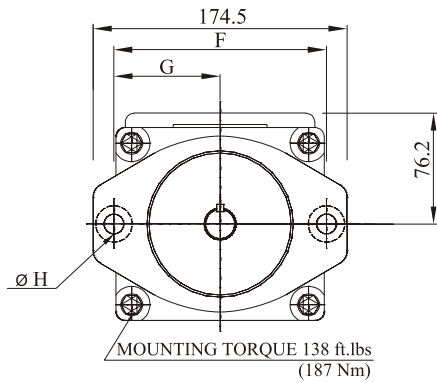
INTERNAL LEAKAGE (TYPICAL)



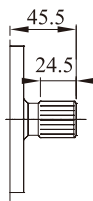
PERMISSIBLE RADIAL LOAD



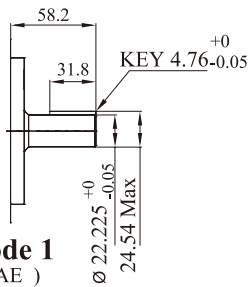
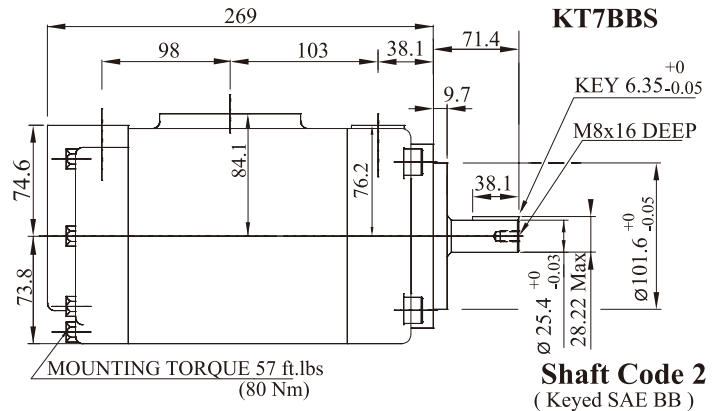
Maximum permissible axial load Fa = 800 N



Shaft code 3
SAE B Splined shaft
class 1 - J498 b 16/32
dp. -13 teeth 30°
pressure angle. Flat root
side fit.



Shaft code 4
SAE BB Splined shaft
class 1 - J498 b 16/32
dp. -15 teeth 30°
pressure angle. Flat root
side fit.



Shaft Code 1
(Keyed no SAE)

| | KT7BBS | | KT7BB | |
|-----|-----------------|-------|---------------|-------|
| | 00 | 01 | M0 | M1 |
| A | 3/8"-16UNC deep | | M10x19 deep | |
| B | 1/2"-13UNC deep | | M12x22.4 deep | |
| C | 26.2 | 22.2 | 26.2 | 22.2 |
| D | 52.4 | 47.6 | 52.4 | 47.6 |
| ø E | 25.4 | 19.05 | 25.4 | 19.05 |
| F | 146.05 | | 140.0 | |
| G | 73.0 | | 70.0 | |
| ø H | 14.3 | | 14.0 | |

| Shaft torque limits(mℓ/rev x bar) | | |
|-----------------------------------|-------|------------------|
| Pump | Shaft | Vp x p max.P1+P2 |
| KT7BB | 1 | 14300 |
| | 2 | 21420 |
| | 3 | 20620 |
| | 4 | 32702 |
| | 5 | 25325 |

OPERATING CHARACTERISTICS - TYPICAL [24 cSt]

(input power p (kw) for one cartridge only)

| Pressure Port | Series | Volumetric Displacement Vp cm ³ /rev | Flow q & n =1800 rpm (ℓ/min) | | | Input power p & n =1800rpm (KW) | | | P Max Kg/cm ² | Max r.p.m |
|---------------|--------|----------------------------------------------------|---------------------------------|-----------|-----------|------------------------------------|-----------|-----------|-----------------------------|--------------|
| | | | P=0 bar | P=140 bar | P=320 bar | P=7 bar | P=140 bar | P=320 bar | | |
| P1 ~ P2 | B02 | 5.7 | 10.4 | 8.8 | 6.5 | 0.55 | 2.99 | 6.40 | 320 | 3600 |
| | B03 | 9.8 | 17.6 | 15.9 | 13.7 | 0.63 | 4.65 | 10.25 | | |
| | B04 | 12.8 | 23.0 | 21.4 | 19.2 | 0.70 | 5.89 | 13.13 | | |
| | B05 | 15.9 | 28.6 | 26.9 | 24.7 | 0.76 | 7.17 | 16.12 | | |
| | B06 | 19.8 | 35.6 | 33.9 | 31.7 | 0.84 | 8.79 | 19.88 | | |
| | B07 | 22.5 | 40.4 | 38.8 | 36.5 | 0.89 | 9.91 | 22.47 | | |
| | B08 | 24.9 | 44.7 | 43.1 | 40.9 | 0.94 | 10.9 | 24.78 | | |
| | B09 | 28.0 | 50.3 | 48.6 | 46.4 | 1.01 | 12.19 | 27.77 | | |
| | B10 | 31.8 | 57.2 | 55.5 | 53.4 | 1.11 | 13.75 | 31.42 | | |
| | B11 | 34.9 | 62.9 | 61.2 | 59.0 1) | 1.15 | 15.04 | 32.22 1) | | |
| | B12 | 40.9 | 73.7 | 72.1 | 70.1 1) | 1.28 | 17.56 | 37.71 1) | | |
| | B14 | 45.1 | 80.8 | 79.2 | 77.0 1) | 1.36 | 19.23 | 41.37 1) | | |
| | B15 | 50.0 | 89.8 | 88.3 | 86.5 2) | 1.47 | 21.28 | 42.76 2) | | |
| | | | | | | | | | 280 | |

1) B11 - B12 - B14 = 300 bar max.int

2) B15 = 280 bar max. int.

Min Speed : 600 rpm