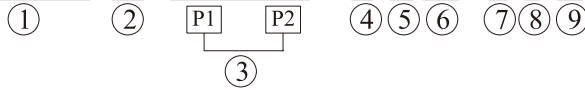


## KT6CCZ \* - B22 - B08 - X R 00 - A 1 00



- ① **Series - SAE B 2 Bolts**  
Mounting flange J744c
- ② **One letter can be added to specify special parts in series**
- ③ **Cam ring for " P1 " & " P2 "**  
Volumetric displacement (cm<sup>3</sup>/rev)
 

B05 = 17.2	B17 = 58.3
B06 = 21.3	B20 = 63.8
B08 = 26.4	B22 = 70.3
B10 = 34.1	B25 = 79.3
B12 = 37.1	B28 = 88.8
B14 = 46.0	B31 = 100.0

- ⑤ **Direction of rotation**  
(view on shaft end)  
R = clockwise  
L = counter - clockwise
- ⑥ **Porting combination**  
00 = standard
- ⑦ **Design letter**
- ⑧ **Seal class**  
1 = S1 (for mineral oil)  
4 = S4 (for fire resistant fluids)  
5 = S5 (for mineral oil and fire resistant fluids)

- ④ **Type of shaft**  
X = keyed  
W = keyed  
V = keyed  
S = Splined (DIN 5462)

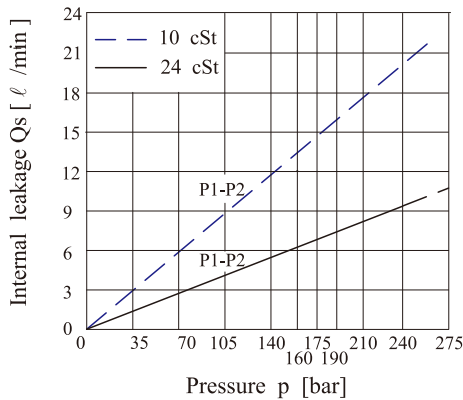
- ⑨ **Mounting W/connection variables**

		P1=1", S=3"		P1=1", S=2 1/2" 2)	
P2		1"	3/4" 1)	1"	3/4" 1)
Code	Unc	00	01	10	11
	Metric	0M	W0	1M	W1

- 1) for 46 ml/rev. max.
- 2) for 126 ml/rev. max.

The large cartridge must be always mounted in the front.

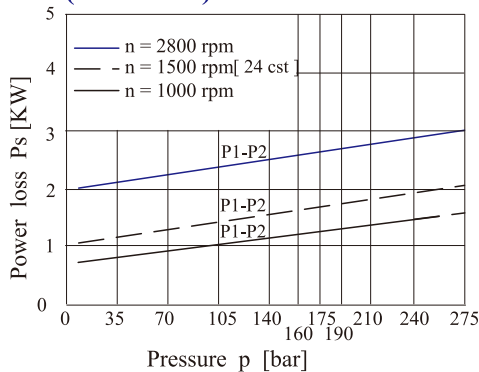
### INTERNAL LEAKAGE (TYPICAL)



Do not operate pump more than 5 seconds at any speed or viscosity if internal leakage is more than 50 % of theoretical flow.

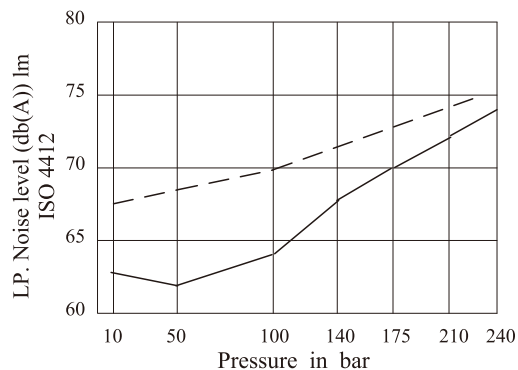
Total leakage is the sum of each section loss at its operating conditions.

### HYDROMECHANICAL POWER LOSS (TYPICAL)

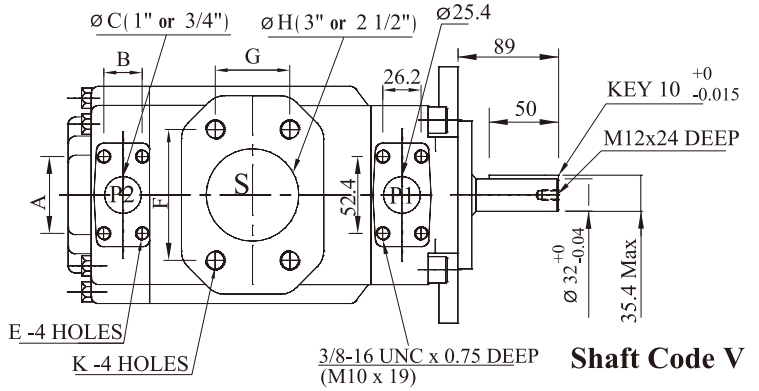
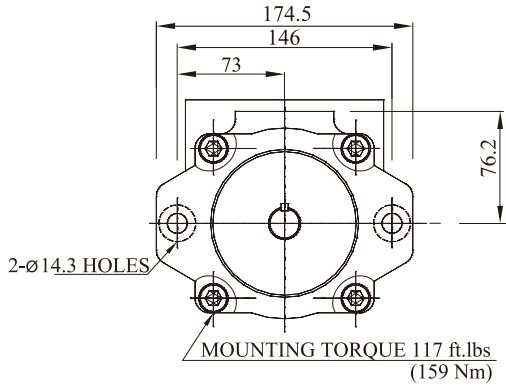


Total hydromechanical power loss is the sum of each section at its operating conditions.

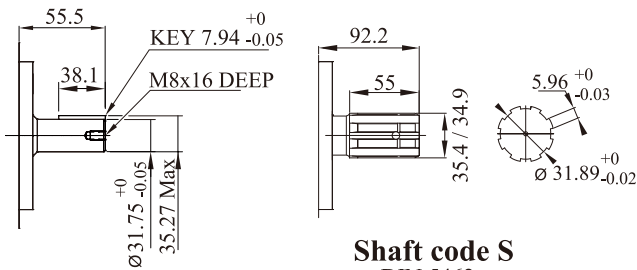
### NOISE LEVEL (TYPICAL)



Double pump noise level is given with each section discharging at the pressure noted on the curve.



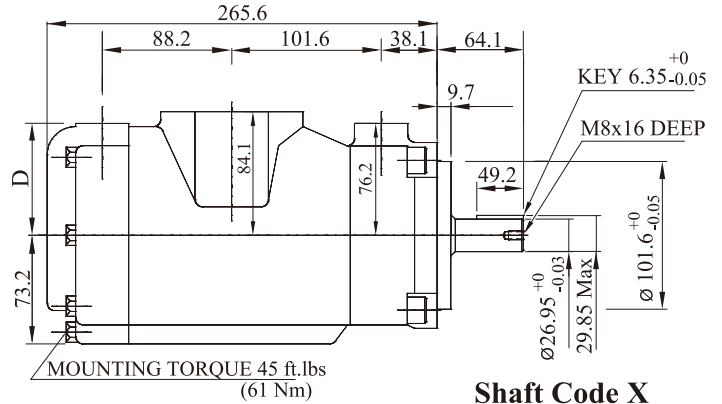
**Shaft Code V**



**Shaft code W**

**Shaft code S**

DIN 5462  
B8x32x36



MOUNTING TORQUE 45 ft.lbs (61 Nm)

**Shaft Code X**

Alternate Port								
		S = 3"			S = 2 1/2"			
F		106.4			88.9			
G		61.9			50.8			
ø H		76.2			63.5			
Code	00	01	0M	W0	10	11	1M	W1
A	52.4	47.6	52.4	47.6	52.4	47.6	52.4	47.6
B	26.2	22.2	26.2	22.2	26.2	22.2	26.2	22.2
ø C	25.4	19.0	25.4	19.0	25.4	19.0	25.4	19.0
D	74.7	76.2	74.7	76.2	74.7	76.2	74.7	76.2
E	3/8"-16UNCx19 deep		M10x19 deep		3/8"-16UNCx19 deep		M10x19 deep	
K	5/8"-11UNCx28.4 deep		M16x28.4 deep		1/2"-13UNCx23.9 deep		M12x24.0 deep	

Shaft torque limits (mℓ/rev x bar)		
Pump	Shaft	V <sub>p</sub> x p max.P1+P2
KT6CCZ	X	25400
	V	32670
	W	32670

**KT6CCZ OPERATING CHARACTERISTICS - TYPICAL [24 cSt] (input power p (kw) for one cartridge only)**

Pressure port	Series	Volumetric Displacement V <sub>p</sub>	Flow q <sub>ve</sub> [ℓ/min] 1500rpm			Input power P [KW] 1500rpm			P Max <sup>2</sup> Kg/cm <sup>2</sup>	Max r.p.m
			P = 0 bar	P = 140 bar	P = 240 bar	P = 7 bar	P = 140 bar	P = 240 bar		
P1 & P2	B05	17.2mℓ/rev	25.8	20.3	15.8	1.4	7.5	12.2	275	2800
	B06	21.3mℓ/rev	31.9	26.5	22.0	1.5	8.9	14.7		
	B08	26.4mℓ/rev	39.6	34.1	29.6	1.6	10.7	17.7		
	B10	34.1mℓ/rev	51.1	45.7	41.2	1.7	13.4	22.3		
	B12	37.1mℓ/rev	55.6	50.2	45.7	1.7	14.4	24.1		
	B14	46.0mℓ/rev	69.0	63.5	59.0	1.9	17.6	29.5		
	B17	58.3mℓ/rev	87.4	82.0	77.5	2.1	21.9	36.9		
	B20	63.8mℓ/rev	95.7	90.2	85.7	2.2	23.8	40.2		
	B22	70.3mℓ/rev	105.4	100.0	95.5	2.3	26.1	44.1		
	B25 <sub>1)</sub>	79.3mℓ/rev	118.9	113.5	109.0	2.5	29.2	49.5		
	B28 <sub>1)</sub>	88.8mℓ/rev	133.2	127.7	124.5 <sub>2)</sub>	2.8	32.7	48.5 <sub>2)</sub>	210	2500
	B31 <sub>1)</sub>	100.0mℓ/rev	150.0	144.5	141.3 <sub>2)</sub>	2.8	36.5	54.4 <sub>2)</sub>		

1) B25 - B28 - B31 = 2500 rpm. max

2) B28 - B31 = 210 bar max. int.

Min Speed : 600 rpm