

**KT7DSW2 - 045 - X R 00 - A 1 W1 -**  
 ① ② ③ ④ ⑤ ⑥ ⑦ ⑧ ⑨

① **Series**

② **Cam ring**

Volumetric displacement (cm<sup>3</sup>/rev)

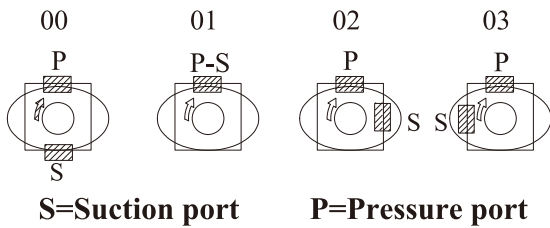
014=43.9	035=113.4
017=55.0	038=120.6
020=66.0	042=137.5
024=81.1	045=145.7
028=89.9	050=157.9
031=99.1	

③ **Type of shaft**

2 = keyed  
 X = keyed  
 W = keyed

④ **Direction of rotation**

(view on shaft end)  
 R=clockwise  
 L=counter-clockwise



⑤ **Porting combination**

00=Standard

⑥ **Design letter**

⑦ **Seal class**

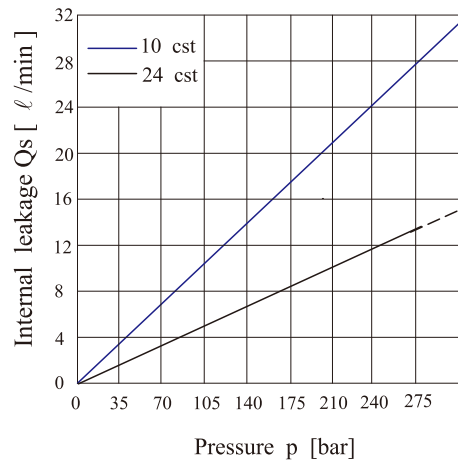
1 = S1 (for mineral oil)  
 4 = S4 (for fire resistant fluids)  
 5 = S5 (for mineral oil and fire resistant fluids)

⑧ **Mounting w / connection variables**

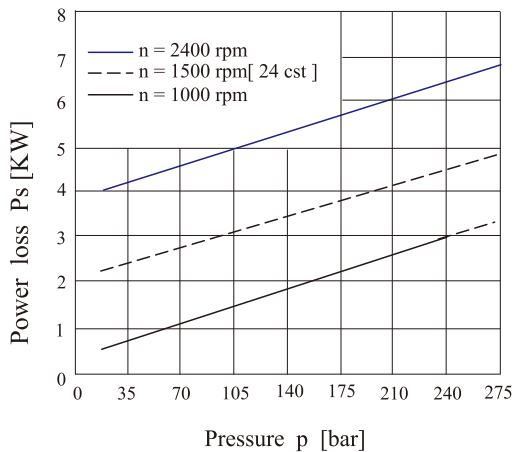
KT7DSW 2	
UNC (W1)	
P = 1" 1/4	S = 2 1/2"

⑨ **Modifications**

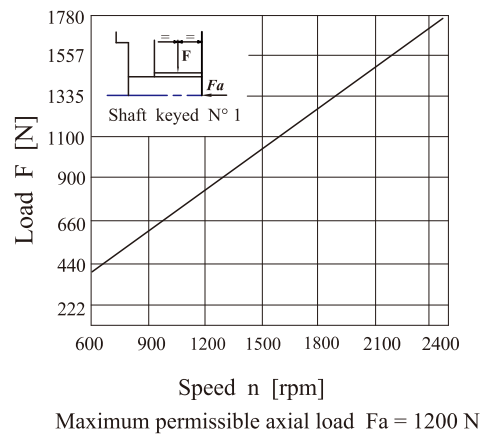
**INTERNAL LEAKAGE (TYPICAL)**

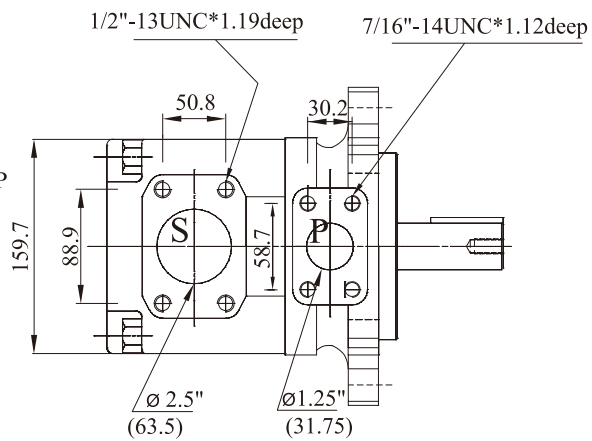
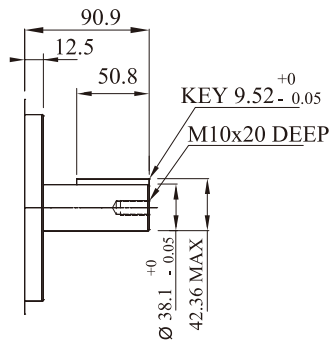
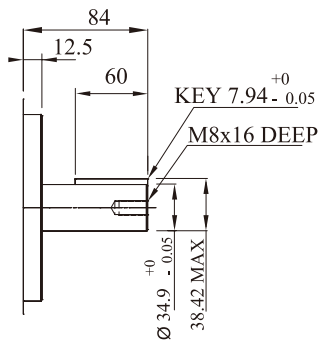
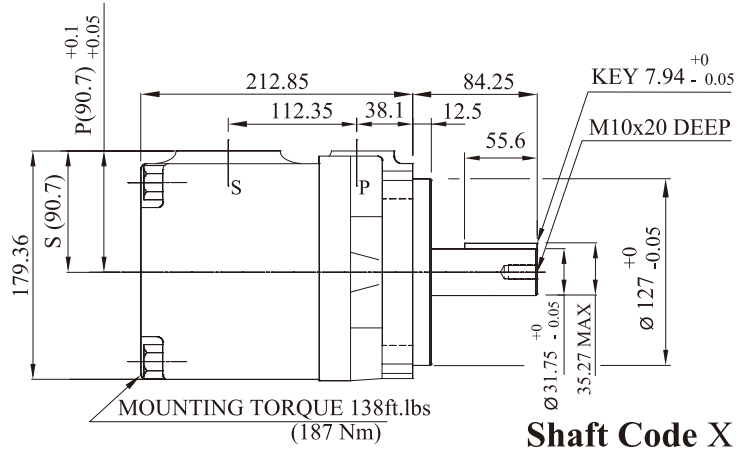
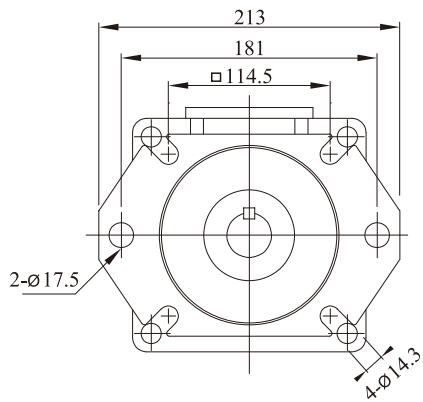


**HYDROMECHANICAL POWER LOSS (TYPICAL)**



**PERMISSIBLE RADIAL LOAD**





## OPERATING CHARACTERISTICS - TYPICAL [24 cSt]

Series	Volumetric Displacement V <sub>p</sub>	Speed n [r.p.m.]	Flow q <sub>ve</sub> [ℓ/min] @ 1800 rpm			Input power P [KW] @ 1800 rpm			P Max <sub>2</sub> Kg/cm <sup>2</sup>	Max r.p.m.
			p = 0 bar	p = 140 bar	p = 300 bar	p = 7 bar	p = 140 bar	p = 300 bar		
014	43.9mℓ/rev	1800	79.1	72.5	64.9	2.6	20.7	43.6	300	3000
017	55.0mℓ/rev	1800	98.8	92.3	84.7	2.8	25.3	53.6		
020	66.0mℓ/rev	1800	118.6	112.0	104.5	3.0	29.8	63.6		
024	81.1mℓ/rev	1800	145.8	139.2	131.6	3.4	36.1	77.4		
028	89.9mℓ/rev	1800	161.8	155.2	147.6	3.5	39.7	85.5		
031	99.1mℓ/rev	1800	178.3	171.7	164.2	3.7	43.6	93.7		
035	113.4mℓ/rev	1800	203.9	197.2	190.6 1)	4.0	49.4	97.2 1)	280	260
038	120.6mℓ/rev	1800	216.8	210.2	203.6 1)	4.2	52.4	103.2 1)		
042	137.5mℓ/rev	1800	247.2	240.6	234.9 2)	4.5	59.4	111.4 2)	240	210
045	145.7mℓ/rev	1800	262.0	253.6	247.5 3)	5.0	62.4	107.7 3)		
050	157.9mℓ/rev	1800	284.0	275.8	271.3 4)	5.3	67.5	100.3 4)		

- 1) 035-038 = 280 bar max. int.      2) 042 = 260 bar max.int.      3) 045 = 240 bar max. int.  
 4) 050 = 210 bar max. int.