

KT6DS - 045 - 1 R 00 - B 1 *

① ② ③ ④ ⑤ ⑥ ⑦ ⑧

① **Series**

② **Cam ring**

Volumetric displacement (cm³/rev)

014=47.6	035=111.0
017=58.2	038=120.3
020=66.0	042=136.0
024=79.5	045=145.7
028=89.7	050=158.0
031=98.3	061=190.5

③ **Type of shaft**

- 1 = keyed (SAE C)
- 2 = keyed (no SAE)
- 3 = splined (SAE C)
- 4 = splined (no SAE)

④ **Direction of rotation**
(view on shaft end)

- R=clockwise
- L=counter-clockwise

⑤ **Porting combination**

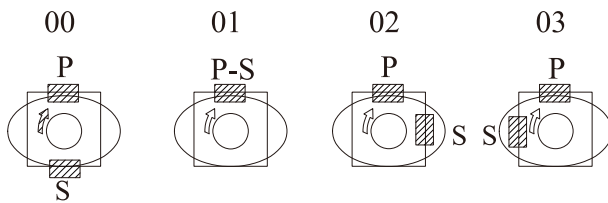
- 00=Standard

⑥ **Design letter**

⑦ **Seal class**

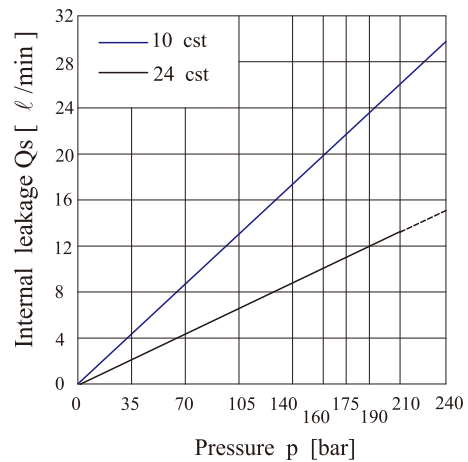
- 1 = S1 (for mineral oil)
- 4 = S4 (for fire resistant fluids)
- 5 = S5 (for mineral oil and fire resistant fluids)

⑧ **Modifications**

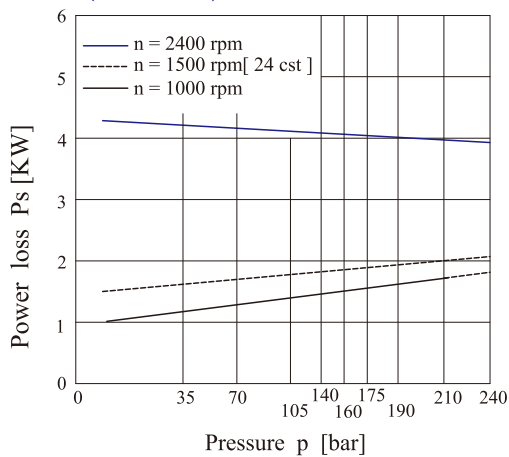


S=Suction port P=Pressure port

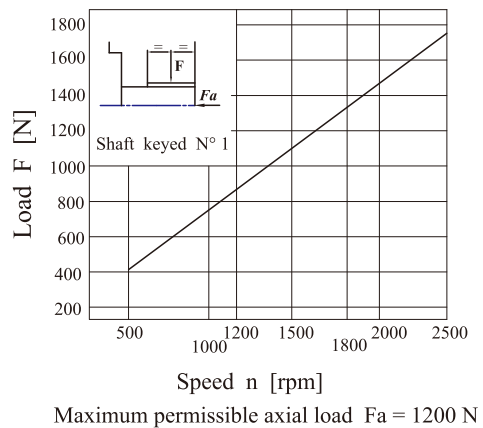
INTERNAL LEAKAGE (TYPICAL)

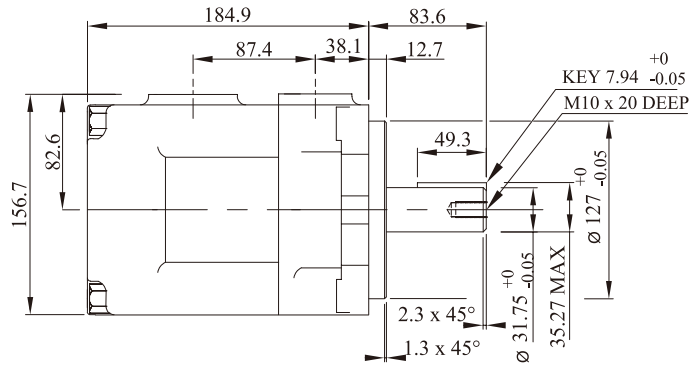
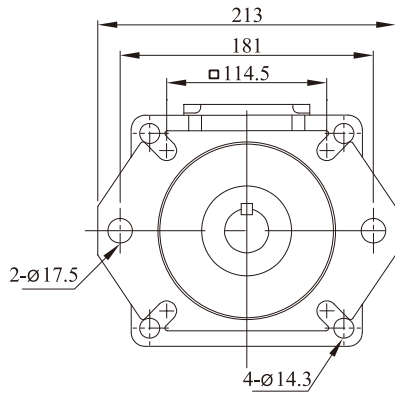


HYDROMECHANICAL POWER LOSS (TYPICAL)

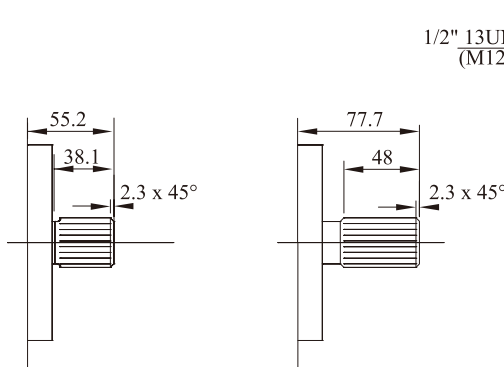


PERMISSIBLE RADIAL LOAD





Shaft code 1
(Keyed SAE C)

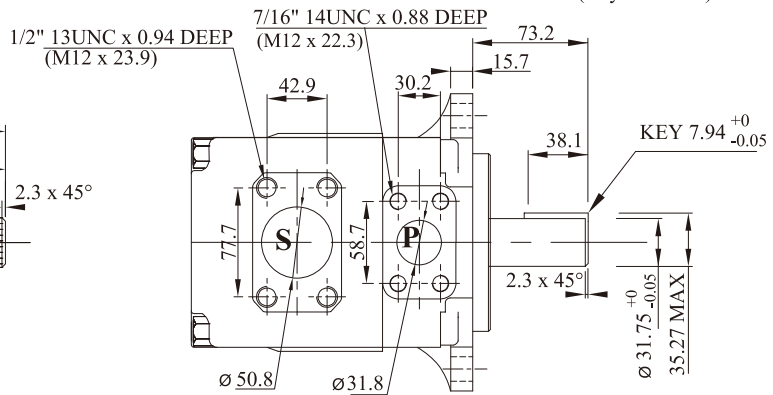


Shaft code 3

SAE C splined shaft
Class 1 - J498 b
12/24 dp. -14 teeth
30° pressure angle
Flat root side fit.

Shaft code 4

NO SAE splined shaft
Class 1 - J498 b 12/24
d.p. -14 teeth 30°
pressure angle Flat root
side fit.



Shaft code 2
(Keyed no SAE)

Shaft torque limits (mℓ/rev x bar)		
Pump	Shaft	Vp x p max
KT6DS	1	43283
	2	34590
	3	61200
	4	61200

OPERATING CHARACTERISTICS - TYPICAL [24 cSt]

Series	Volumetric Displacement Vp	Speed n [R.P.M]	Flow qve [ℓ/min]=1500 rpm			Input power P [KW]=1500 rpm			P Max Kg/cm ²	Max r.p.m
			p = 0 bar	p = 140 bar	p = 240 bar	p = 7 bar	p = 140 bar	p = 240 bar		
014	47.6mℓ/rev	1500	71.4	62.1	55.9	2.3	18.5	30.6	240	2500
017	58.2mℓ/rev	1500	87.3	78.0	71.8	2.5	22.2	37.0		
020	66.0mℓ/rev	1500	99.0	89.7	83.5	2.8	24.9	41.7		
024	79.5mℓ/rev	1500	119.3	110.0	103.8	3.0	29.6	49.8		
028	89.7mℓ/rev	1500	134.5	125.2	119.0	3.2	33.2	55.9		
031	98.3mℓ/rev	1500	147.5	138.1	131.9	3.3	36.2	61.0		
035	111.0mℓ/rev	1500	166.5	157.2	151.0	3.5	40.7	68.7		
038	120.3mℓ/rev	1500	180.4	171.1	164.9	3.7	43.9	74.3		
042 1)	136.0mℓ/rev	1500	204.0	194.7	188.5	4.0	49.4	83.7	210	2200
045 1)	145.7mℓ/rev	1500	218.5	209.2	203.0	4.1	52.8	89.5		
050 1)	158.0mℓ/rev	1500	237.0	227.7	224.0 2)	4.4	57.0	85.0 2)		
061 1)	190.5mℓ/rev	1500	285.7	278.0 3)	—	4.6	60.6 3)	—		

1) 042 -0045 - 050 - 061 = 2200 R.P.M.max 2) 050 = 210 bar max. int. 3) 061 = 120 bar max. int. Min Speed : 600 rpm