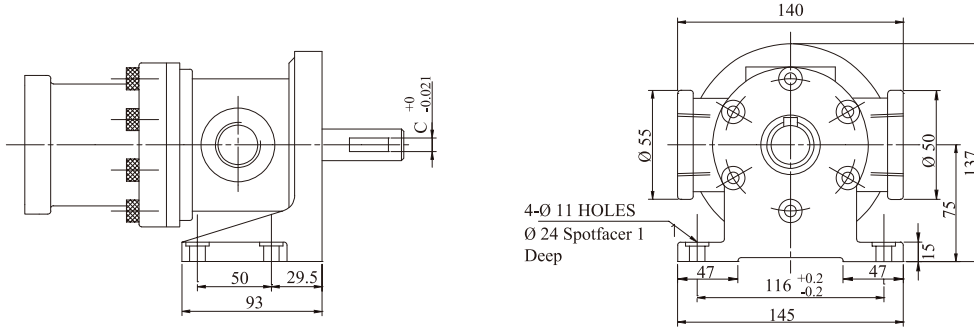


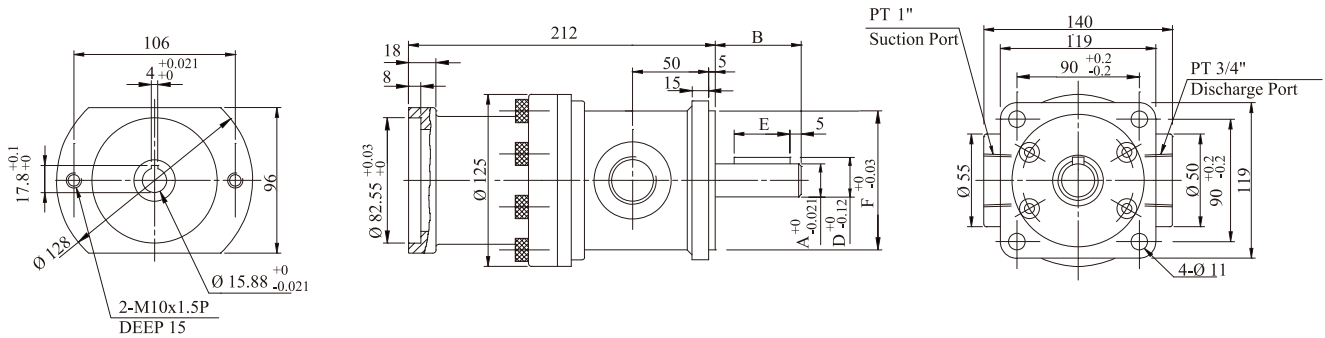
### 50T+TSP (Foot Type) 腳座型

|             | A       | B    | C    | D    | E    |
|-------------|---------|------|------|------|------|
| NO.01-Shaft | Ø 19.05 | 36.0 | 4.76 | 21.3 | 32.0 |
| NO.02-Shaft | Ø 22.0  | 46.0 | 5.0  | 24.0 | 30.0 |

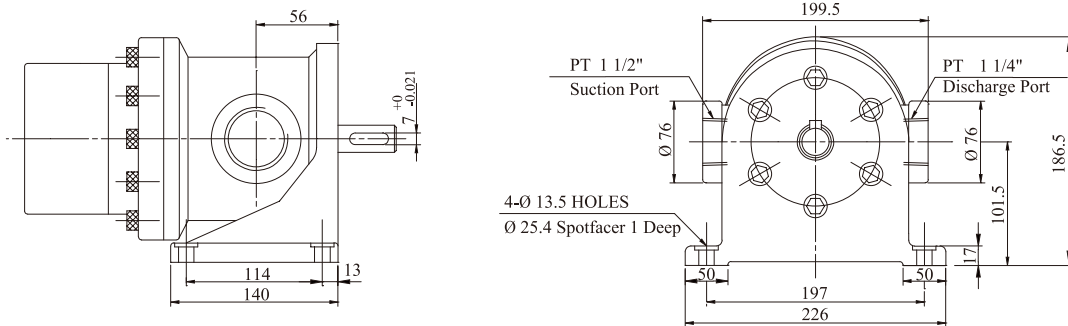


### 50T+TSP (Flange Type) 法蘭型

|             | A       | B    | C    | D    | E    | F       |
|-------------|---------|------|------|------|------|---------|
| NO.01-Shaft | Ø 19.05 | 36.0 | 4.76 | 21.3 | 32.0 | Ø 95.02 |
| NO.02-Shaft | Ø 22.0  | 46.0 | 5.0  | 24.0 | 30.0 | Ø 96.02 |



### 150T+TSP (Foot Type) 腳座型



### 150T+TSP (Flange Type) 法蘭型

