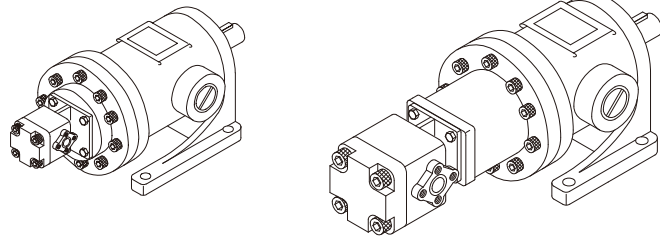


50T+PA
150T+PA



ORDERING CODE 訂購指引

50 T - 36 - L R R - G - PA5 - 01

① ② ③ ④ ⑤ ⑥ ⑦ ⑧

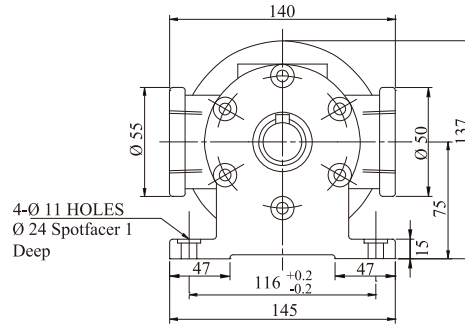
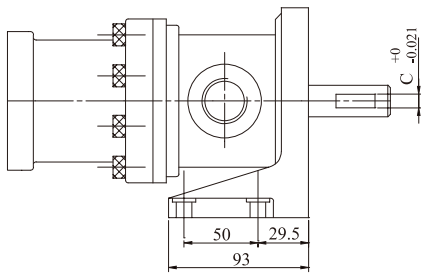
- ①—— Series Number (型號)
50T-
150T-
- ②—— Piping Mounting (管口形式)
T: Piping Type (管徑牙口) F: Flange Type (法蘭型)
- ③—— Capacity Mark: (c.c/rev) (流量)
50T:09,12,14,17,19,21,23,26,30,36,40
150T:48,61,75,94,116,125
- ④—— Flange Type
L: Foot Type (腳座型) F: Flange Type (法蘭型)
- ⑤—— Shaft Rotation (心軸轉向)
(Viewed From Shaft End)
R: Clockwise (順時針) L: Anti-Clockwise (反時針)
- ⑥—— Discharge Port Position (出口位置)
(Viewed From Shaft End)
R: On Right Hand (右) L: On Left Hand (normal) (左)
- ⑦—— (銜接型號)

Model	Capacity
PA1	1.07
PA2	2.02
PA3	3.01
PA4	4.01
PA5	6.05

 High-Pressure
Gear Pump
(Cover End)
(c.c/rev)
- ⑧—— Shaft Type (心軸種類) 01: No.01 Shaft
02: No.02 Shaft

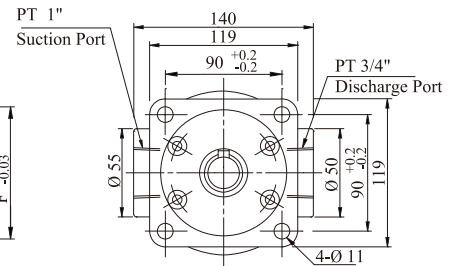
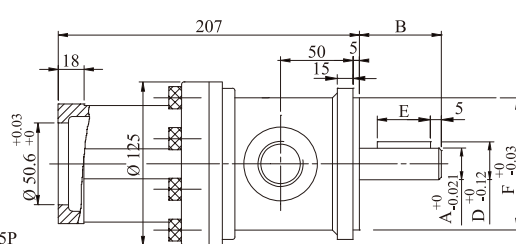
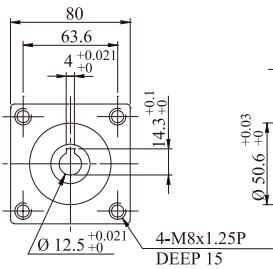
50T+PA (Foot Type) 腳座型

	A	B	C	D	E
NO.01-Shaft	∅ 19.05	36.0	4.76	21.3	32.0
NO.02-Shaft	∅ 22.0	46.0	5.0	24.0	30.0

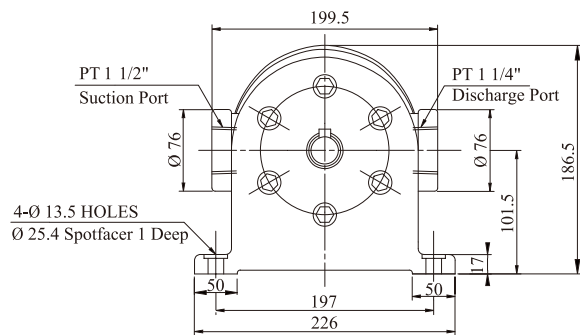
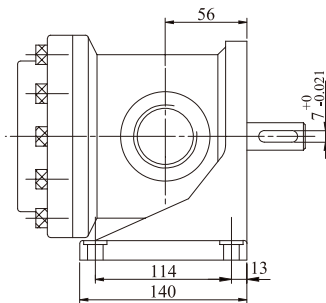


50T+PA (Flange Type) 法蘭型

	A	B	C	D	E	F
NO.01-Shaft	∅ 19.05	36.0	4.76	21.3	32.0	∅ 95.02
NO.02-Shaft	∅ 22.0	46.0	5.0	24.0	30.0	∅ 96.02



150T+PA (Foot Type) 腳座型



150T+PA (Flange Type) 法蘭型

