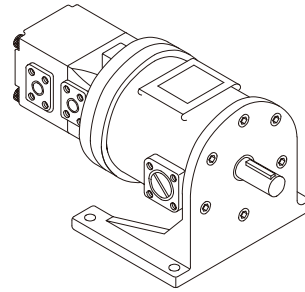


**50T+VQ15**  
**150T+VQ15**



### ORDERING CODE 訂購指引

**50 T - 36 - L R R - V1 - 17 - 01**

① ② ③ ④ ⑤ ⑥ ⑦ ⑧ ⑨

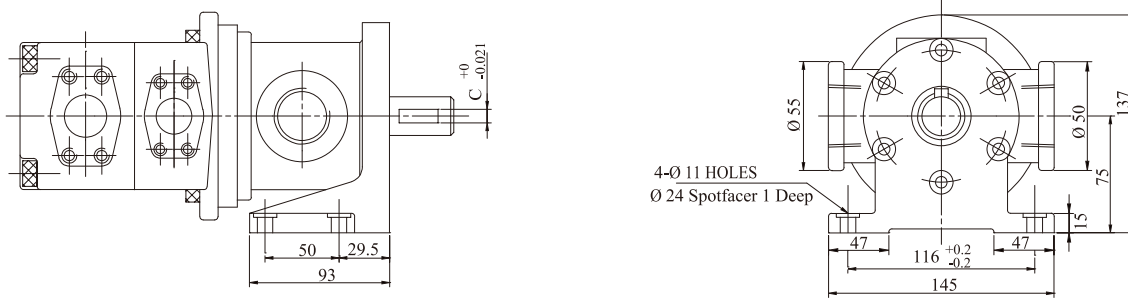
- ① — Series Number (型號)  
50T-  
150T-
- ② — Piping Mounting (管口形式)  
T: Piping Type (管徑牙口)    F: Flange Type (法蘭型)
- ③ — Capacity Mark: (c.c/rev) (流量)  
50T:09,12,14,17,19,21,23,26,30,36,40  
150T:48,61,75,94,116,125
- ④ — Flange Type (安裝方式)  
L: Foot Type (腳座型)    F: Flange Type (法蘭型)
- ⑤ — Shaft Rotation (心軸轉向)  
(Viewed From Shaft End)  
R: Clockwise (順時針)    L: Anti-Clockwise (反時針)
- ⑥ — Discharge Port Position (出口位置)  
(Viewed From Shaft End)  
R: On Right Hand (右)    L: On Left Hand (normal) (左)
- ⑦ — Hi - pressure Fixed Vane Pump(Cover End) (銜接型號)  
V1:VQ15 Series
- ⑧ — Hi pressure Fixed Vane Pump (Cover End) (銜接流量)  
Capacity Mark (c.c/rev)  
6,8,11,14,17,19,23,26,31
- ⑨ — Shaft Type (心軸種類)    01: No.01 Shaft  
02: No.02 Shaft

# KCL 50T&150T +VQ15Series Pump Dimensional Drawing

## 50T & 150T+VQ15 系列泵外型尺寸圖

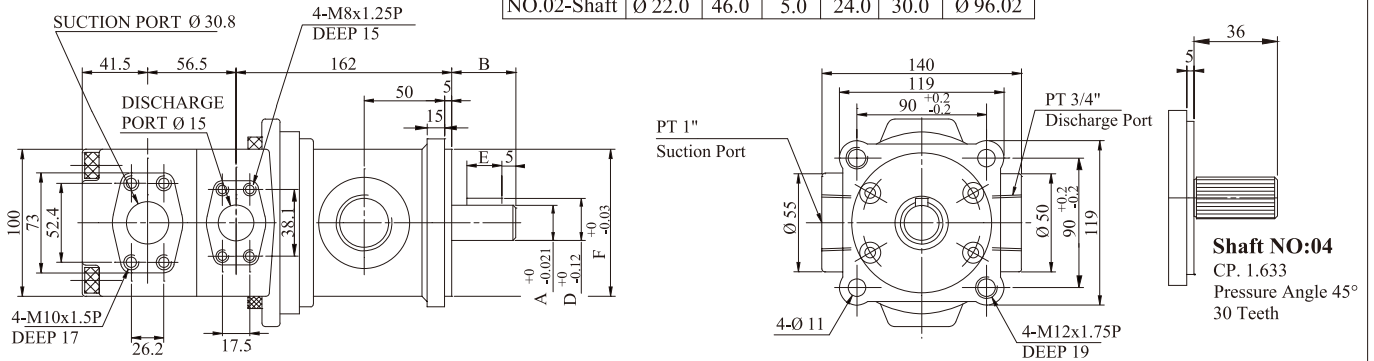
### 50T+VQ15 (Foot Type) 腳座型

	A	B	C	D	E
NO.01-Shaft	Ø 19.05	36.0	4.76	21.3	32.0
NO.02-Shaft	Ø 22.0	46.0	5.0	24.0	30.0

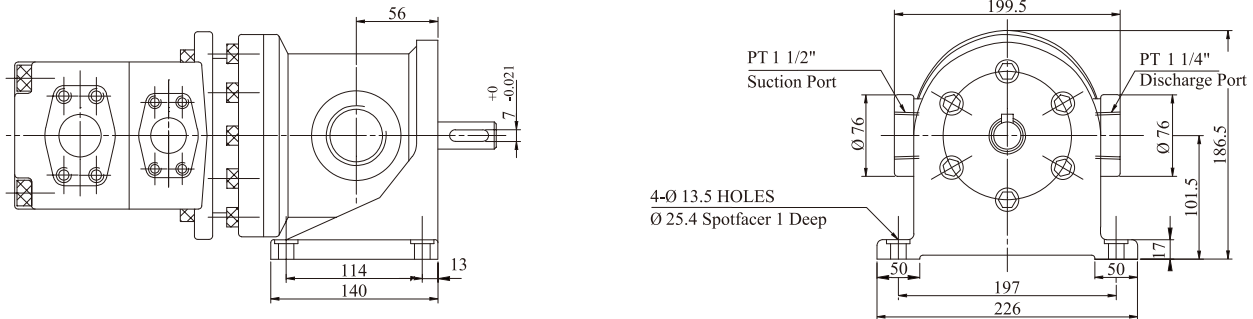


### 50T+VQ15 (Flange Type) 法蘭型

	A	B	C	D	E	F
NO.01-Shaft	Ø 19.05	36.0	4.76	21.3	32.0	Ø 95.02
NO.02-Shaft	Ø 22.0	46.0	5.0	24.0	30.0	Ø 96.02



### 150T+VQ15 (Foot Type) 腳座型



### 150T+VQ15 (Flange Type) 法蘭型

