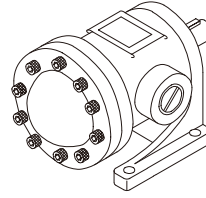


**50T
150T**



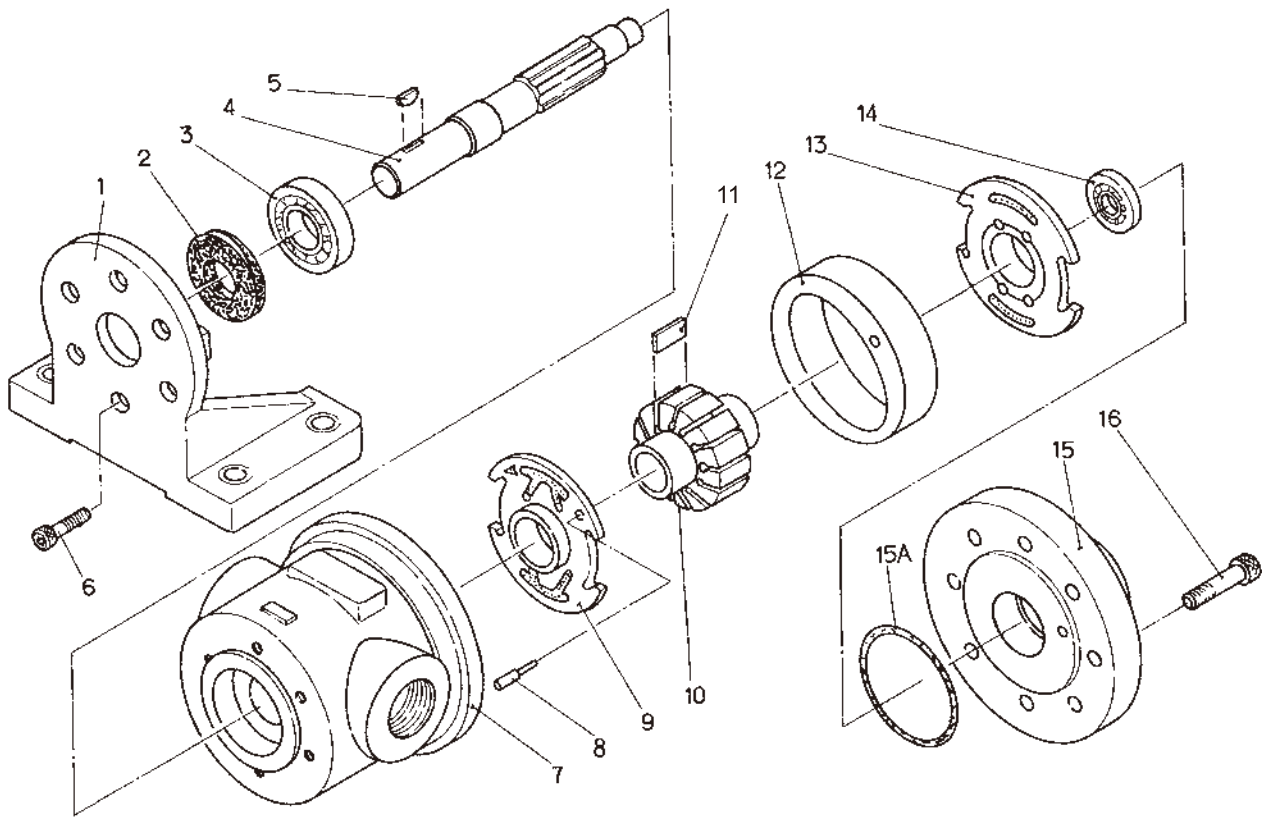
Model 型號	Delivery Flow (ℓ/min) at no-load pressure 無負壓的傳輸流量				Running Speed (rpm) 轉速		Weight(Kg) 重量		Max Pressure (Kgf/cm ²) 最大壓力	
	Running Speed (rpm) 轉速				Max 最大	Min 最小	Foot Type 腳座型	Flange Type 法蘭型		
	1000	1200	1500	1800						
50T	09	—	10.8	13.5	16.2	1800	950	10	9.5	105
	12	12.0	14.4	18.0	21.6	1800	950	10	9.5	105
	14	14.6	17.5	21.7	26.1	1800	950	10	9.5	105
	17	17.0	20.3	25.5	31.5	1800	950	10	9.5	105
	19	19.2	23.0	28.8	34.6	1800	950	10	9.5	105
	21	21.1	25.3	31.7	38.0	1800	950	10	9.5	105
	23	23.0	27.6	34.5	41.4	1800	950	10	9.5	105
	26	26.2	31.4	39.3	47.2	1800	950	10	9.5	105
	30	30.1	36.1	45.2	54.0	1800	950	10	9.5	105
	36	36.2	43.4	54.3	—	1500	950	10	9.5	70
150T	40	41.5	49.8	—	—	1200	950	10	9.5	70
	48	48.3	57.9	72.4	86.9	1800	900	24	24	90
	61	61.5	73.8	92.2	110.7	1800	900	24	24	90
	75	75.2	90.6	113.2	135.9	1500	900	24	24	90
	94	94.2	113.0	141.3	—	1500	900	24	24	70
	116	116.3	139.6	—	—	1200	900	24	24	70
	125	125.3	150.4	—	—	1200	900	24	24	70

ORDERING CODE 訂購指引

50 T - 12 - F - RR - 01

① ② ③ ④ ⑤ ⑥ ⑦

- ① — Series Number (型號)
50T-
150T-
- ② — Piping Mounting (管口形式)
T: Piping Type (管徑牙口) F: Flange Type (法蘭型)
- ③ — Capacity Mark: (c.c/rev) (流量)
50T:09,12,14,17,19,21,23,26,30,36,40
150T:48,61,75,94,116,125
- ④ — Flange Type (安裝方式)
L: Foot Type (腳座型) F: Flange Type (法蘭型)
- ⑤ — Shaft Rotation (心軸轉向)
(Viewed From Shaft End)
R: Clockwise (順時針) L: Anti-Clockwise (反時針)
- ⑥ — Discharge Port Position (出口位置)
(Viewed From Shaft End)
R: On Right Hand (右) L: On Left Hand (normal) (左)
- ⑦ — Shaft Type (心軸種類) 01: No.01 Shaft
02: No.02 Shaft



50T、150T Single Pump Parts List

50T 系列單泵零件表

- NO.1 Foot or Flange (腳座/法蘭型)
- NO.2 Seal (油封)
- NO.3 Bearing (軸承)
- NO.4 Shaft (心軸)
- NO.5 Key (雙頭圓鍵)
- NO.6 Screw (腳座用螺絲)
- NO.7 Housing (體)
- NO.8 Lock Pin (定位銷)
- NO.9 Port Plate A (壓力板 A)
- NO.10 Rotor (轉子)
- NO.11 Vanes (葉片)
- NO.12 Cam Ring (軸環)
- NO.13 Port Plate B (壓力板 B)
- NO.14 Bearing (軸承)
- NO.15 Cover (蓋)
- NO.15A O - Ring (O型環)
- NO.16 Cap-Screw (上蓋螺絲)

150T 系列單泵零件表

- NO.1 Foot or Flange (腳座/法蘭型)
- NO.2 Seal (油封)
- NO.3 Bearing (軸承)
- NO.4 Shaft (心軸)
- NO.5 Key (雙頭圓鍵)
- NO.6 Screw (腳座用螺絲)
- NO.7 Housing (體)
- NO.8 Lock Pin (定位銷)
- NO.9 Port Plate A (壓力板 A)
- NO.10 Rotor (轉子)
- NO.11 Vanes (葉片)
- NO.12 Cam Ring (軸環)
- NO.13 Port Plate B (壓力板 B)
- NO.14 Bearing (軸承)
- NO.15 Cover (蓋)
- NO.15A O - Ring (O型環)
- NO.16 Cap-Screw (上蓋螺絲)