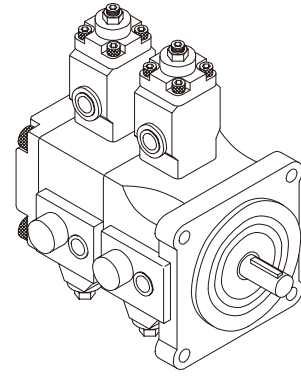
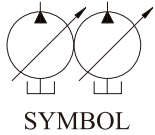


**VPKCCF23.23**  
**VPKCCF26.26**  
**VPKCCF30.30**  
**VPKCCF40.40**



### ORDERING CODE 訂購指引

**VPKCC-** **F\*\*A\*A\*-01-A**

①            ②③④    ⑤    ⑥    ⑦    ⑧

Net Weight:16Kg

- ① — Series Number  
Double Pump
- ② — Flange Type
- ③ — Output Flow  
Shaft End Pump at 1800rpm  
23,26,30,40 (ℓ/min)
- ④ — Output Flow  
Cover End Pump at 1800rpm  
23,26,30,40 (ℓ/min)
- ⑤ — Pressure Range  
of Shaft End Pump (P1)  
1:5-18    2:15-35  
3:30-55    4:50-70 (Kgf/cm<sup>2</sup>)
- ⑥ — Pressure Range  
of Cover End Pump (P2)  
1:5-18    2:15-35  
3:30-55    4:50-70 (Kgf/cm<sup>2</sup>)
- ⑦ — Shaft Type
- ⑧ — Type of Suction Port & Discharge Port  
A or No Marking: PT  
B: NPT  
C: SAE  
D: BSP

### VPKCCF30.30

