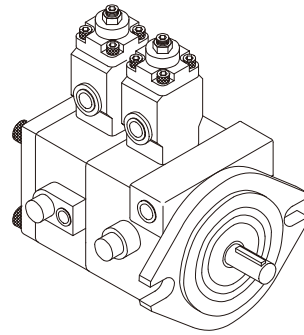
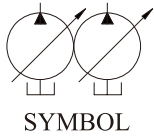


VPKCCF12.12  
VPKCCF15.15  
VPKCCF20.20



### ORDERING CODE 訂購指引

**VPKCC- F\*\*A\*A\*-01-A**

①                      ②③④    ⑤    ⑥    ⑦    ⑧

**Net Weight:9.5Kg**

- ① — Series Number  
Double Pump
- ② — Flange Type
- ③ — Output Flow  
Shaft End Pump at 1800rpm  
12,15,20 ( ℓ /min )
- ④ — Output Flow  
Cover End Pump at 1800rpm  
12,15,20 ( ℓ /min )
- ⑤ — Pressure Range  
of Shaft End Pump (P1)  
1:5-18    2:15-35  
3:30-55    4:50-70 ( Kgf/cm<sup>2</sup> )
- ⑥ — Pressure Range  
of Cover End Pump (P2)  
1:5-18    2:15-35  
3:30-55    4:50-70 ( Kgf/cm<sup>2</sup> )
- ⑦ — Shaft Type
- ⑧ — Type of Suction Port & Discharge Port  
A or No Marking: PT  
B: NPT  
C: SAE  
D: BSP

### VPKCCF2020

