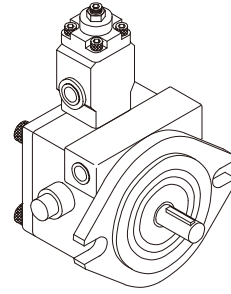


VPKCF8
VPKCF12
VPKCF15
VPKCF20



SYMBOL



FEATURES 特點

| Model | Operating Pressure (Kgf/cm ²) | | Rated Speed (rpm) | | Net Weight |
|---------|--|----------------------|----------------------|-----|------------|
| | | | MAX | MIN | |
| VPKCF8 | A1: 5-18 A3:30-55 | A2:15-35 A4:50-70 | 1800 | 800 | 4.8Kg |
| VPKCF12 | A1: 5-18 A3:30-55 | A2:15-35 A4:50-70 | 1800 | 800 | 4.8Kg |
| VPKCF15 | A1: 5-18 A3:30-55 | A2:15-35 A4:50-70 | 1800 | 800 | 5.2Kg |
| VPKCF20 | A1: 5-18 A3:30-55 | A2:15-35 A4:50-70 | 1800 | 800 | 5.2Kg |

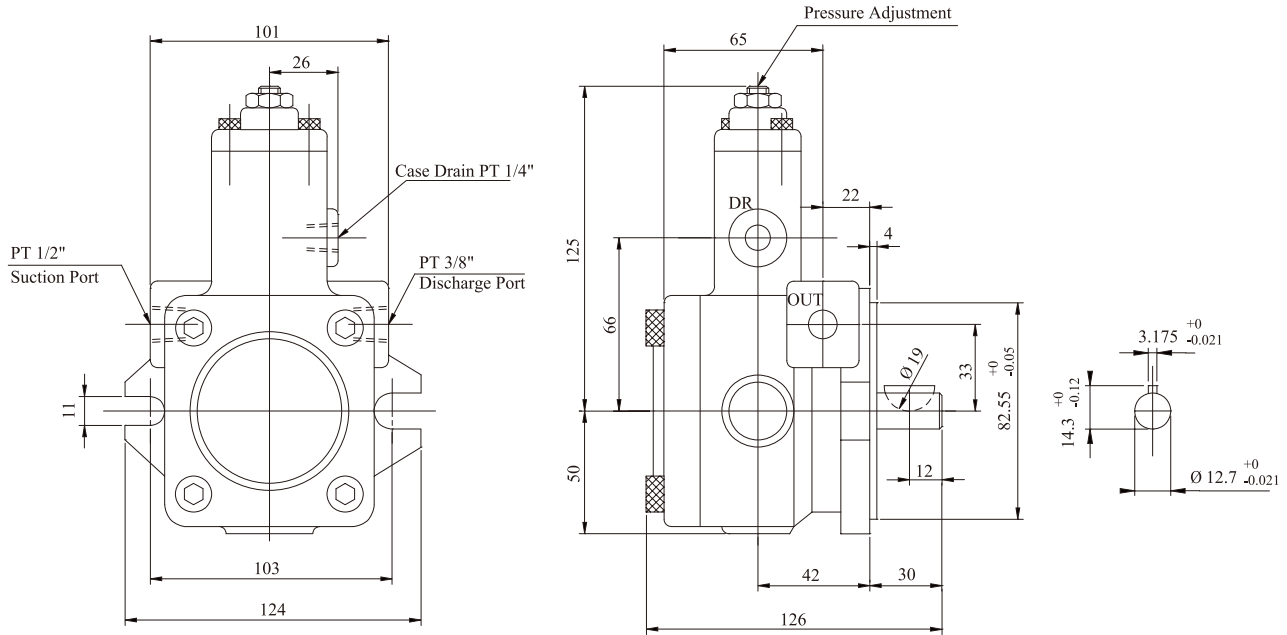
ORDERING CODE 訂購指引

VPKC-F*A*-01-A

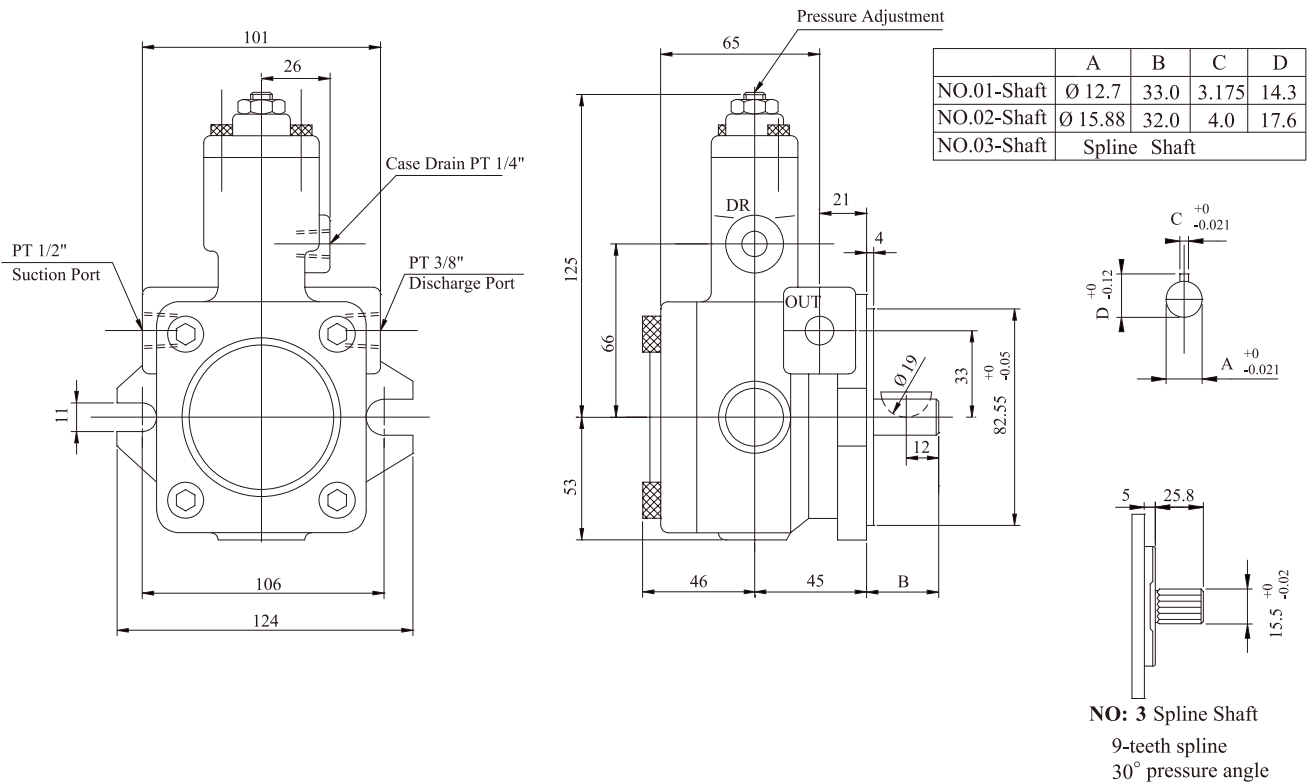
① ②③ ④ ⑤ ⑥

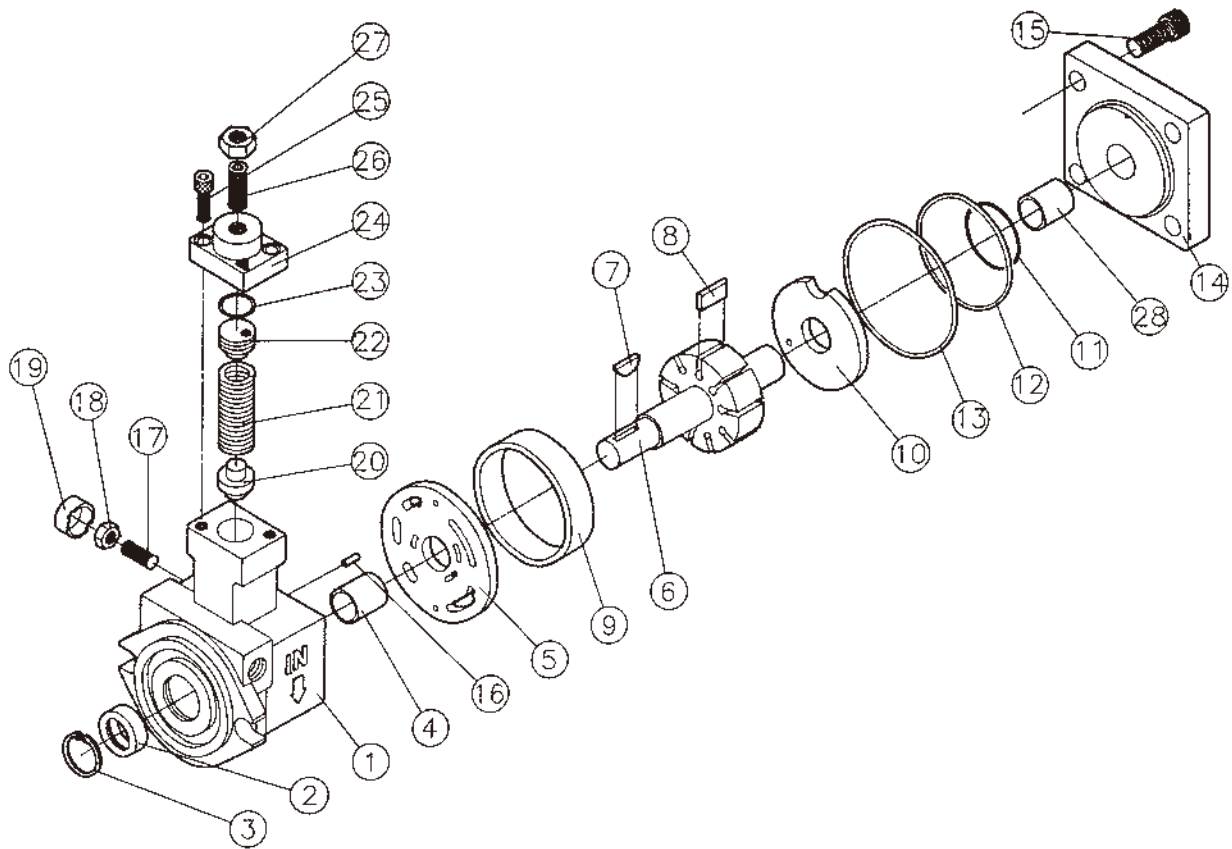
- ①—— Series Number
- ②—— Flange Type
- ③—— Output Flow at 1800rpm
8,12,15,20 (ℓ/min)
- ④—— Pressure Adjusting Range
1:5-18 2:15-35 (Kgf/cm²)
3:30-55 4:50-70
- ⑤—— Shaft Type
01:No.01 Shaft
02:No.02 Shaft
- ⑥—— Type of Suction Port & Discharge Port
A or No Marking: PT
B: NPT
C: SAE
D: BSP

VPKCF12



VPKCF20





VPKC Single Pump Parts List

VPKC (F8、F12、F15、F20)系列單泵零件表

- | | |
|----------------------------|--|
| NO.1 Housing (體) | NO.17 O - Ring + Slide Screw (O型環+調中心螺絲) |
| NO.2 Seal (油封) | NO.18 Nut (螺帽) |
| NO.3 Retainer Ring (扣環) | NO.19 Protect Cover (保護蓋) |
| NO.4 Engine Bush (乾式軸承) | NO.20 Piston (雙頭活塞) |
| NO.5 Port Plate A (壓力板 A) | NO.21 Spring (彈簧) |
| NO.6 Rotor (轉子) | NO.22 Spring Retainer (彈簧承座) |
| NO.7 Woodruff Key (半圓鍵) | NO.23 O - Ring (O型環) |
| NO.8 Vanes (葉片) | NO.24 Cover (側蓋) |
| NO.9 Cam Ring (軸環) | NO.25 Socket Head Cap-Screw (側蓋螺絲) |
| NO.10 Port Plate B (壓力板 B) | NO.26 Socket Set Screw (調壓螺絲) |
| NO.11 O - Ring (O型環) | NO.27 Nut (螺帽) |
| NO.12 O - Ring (O型環) | |
| NO.13 O - Ring (O型環) | |
| NO.14 Cover (蓋) | |
| NO.15 Cap-Screw (上蓋螺絲) | |
| NO.16 Lock Pin (定位銷) | |