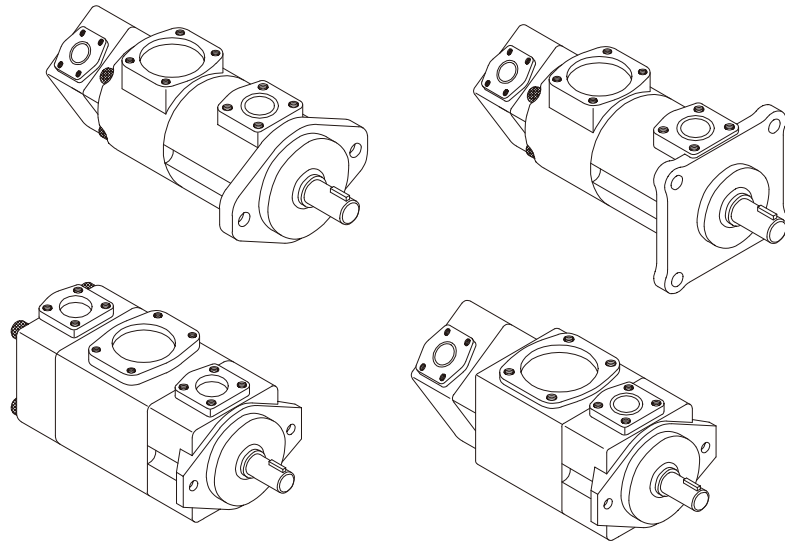


VQ215 SVQ215
VQ225 SVQ315
VQ325 DVQ425
VQ425 SVQ425
VQ435 SVQ435
DVQ435



ORDERING CODE

雙泵訂購指引

EX : (VQ215-26-17-F-RALD-02)

EX : (SVQ315-94-17-F-RAAA-02)

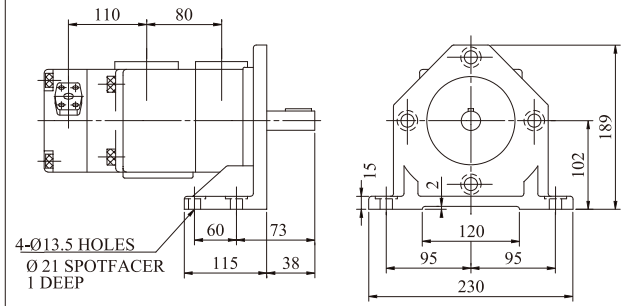
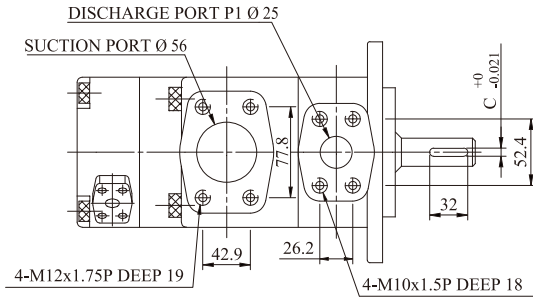
Series Number 型式	P1:Discharge Port c.c/rev Shaft End P1-出油口 (近心軸端)	P2:Discharge Port c.c/rev Cover End P2-出油口 (近上蓋端)	Mounting Type 安裝方式	Shaft Rotation (view from Shaft End) 心軸轉向 (由心軸方向看)	Discharge Port Position (P1) Shaft End Pump (view from Shaft End) P1出口位置方向 (由心軸方向看)	Suction Port Position (view from Shaft End) S進口位置方向 (由心軸方向看)	Discharge Port Position (P2) Cover End Pump (view from Shaft End) P2出口位置方向 (由心軸方向看)	Shaft Type 心軸種類
VQ225	18,22,26,32 38,43,47,52 60,65,75	18,22,26,32 38,43,47,52 60,65,75	F: Flange Type 法蘭型 L: Foot Type 腳座型	R: Clockwise 順時針 L: Anti-Clockwise 反時針	A:Upward (normal) 向上 B:Downward 向下 R:Right Hand 右向 L:Left Hand 左向	A:Upward (normal) 向上 B:Downward 向下 R:Right Hand 右向 L:Left Hand 左向	A:Upward 向上 (normal)	-01 -02 -03
SVQ315	60,66,76 82,88,94 108,116,125	6,8,11,14 17,19,23 26,31,38					A:Upward 向上 B:Downward 向下 R:Right Hand 右向 L:Left Hand 左向	
VQ215 SVQ215	18,22,26,32 38,43,47,52, 60,65,75	6,8,11,14 17,19,23 26,31,38					A:On Right Hand Upward 45° (normal) 右上 45° B:On Right Hand Downward 45° 右下 45° C:On Left Hand Downward 45° 左下 45° D:On Left Hand Upward 45° 左上 45°	
VQ325	60,66,76 82,88,94 108,116,125	18,22,26,32 38,43,47,52, 60,65,75						
VQ425 SVQ425 DVQ425	136,156 189,200 216,237	18,22,26,32 38,43,47,52, 60,65,75						
VQ435 SVQ435 DVQ435	136,156 189,200 216,237	60,66,76,82, 88,94,108 116,125						

DOUBLE PUMP WEIGHT LIST(Kg)

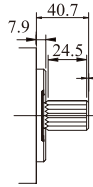
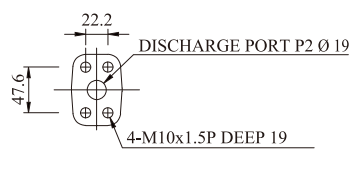
雙泵重量表 (Kg)

	VQ215	VQ225	SVQ215	SVQ315	VQ325	VQ425	DVQ425	SVQ425	VQ435	DVQ435	SVQ435
Flange Type	24	30.6	32	44.4	50	63	73	80	76	84	91
Foot Type	29	35.5	40	52	58	71	104	111	93	115	122
Outlet & Inlet Flange	2.5	3.2	3.2	3.5	3.5	4.8	4.8	4.8	5.2	5.2	5.2

VQ215

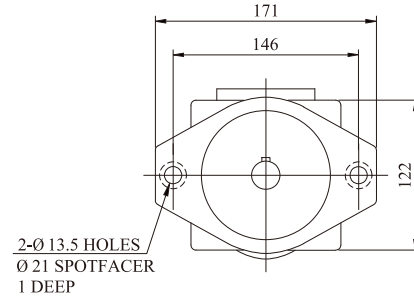
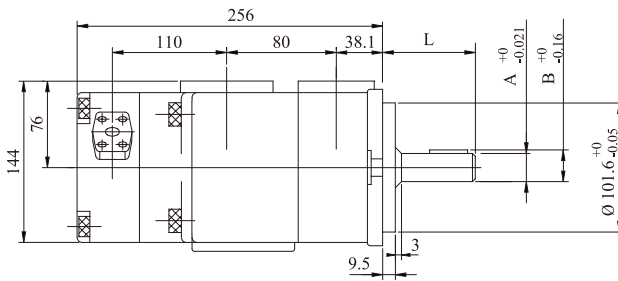


Foot Type (腳座型)

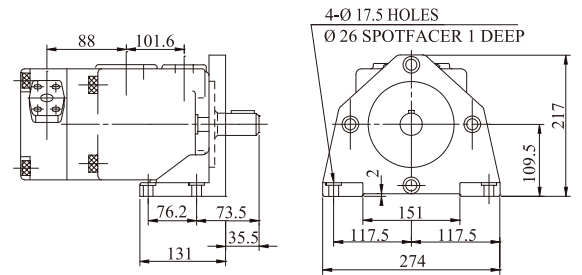
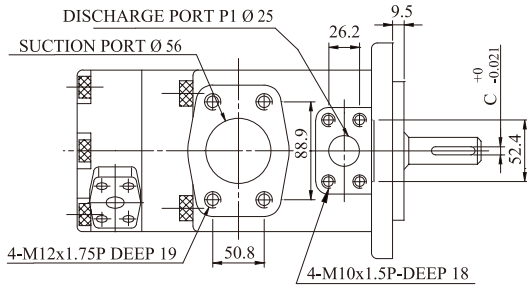


NO.04-Shaft
16/32 d.p. -13 teeth
30° pressure angle
Flat root side fit.

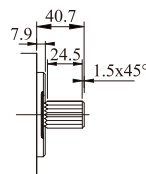
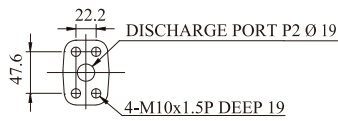
	A	B	C	L
NO.01-Shaft	Ø 22.23	24.5	6.35	61
NO.02-Shaft	Ø 25.4	28.18	6.35	61
NO.03-Shaft	Ø 30	33	7	68
NO.04-Shaft	Spline shaft 7/8" -13T			



SVQ215

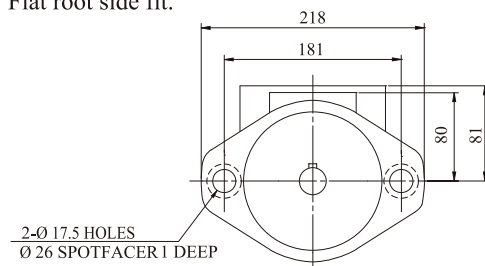
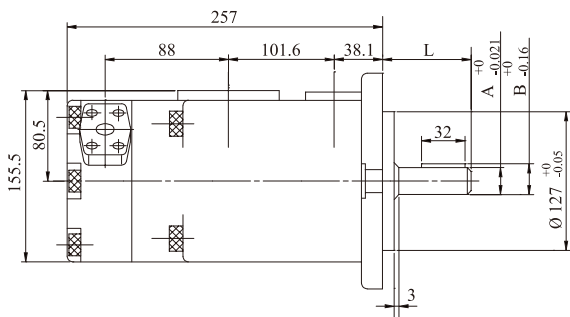


Foot Type (腳座型)

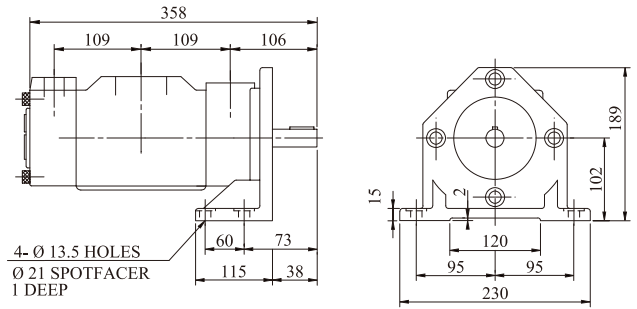
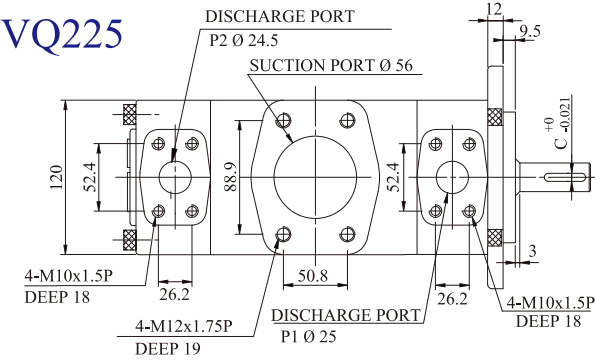


NO.04-Shaft
16/32 d.p. 13teeth
30° pressure angle
Flat root side fit.

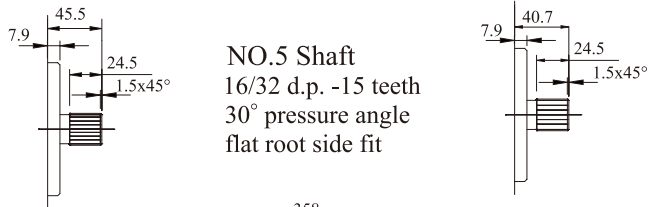
	A	B	C	L
NO.01-Shaft	Ø 22.23	24.5	6.35	61
NO.02-Shaft	Ø 25.4	28.18	6.35	61
NO.03-Shaft	Ø 30	33	7	68
NO.04-Shaft	Spline shaft 7/8" -13T			



VQ225

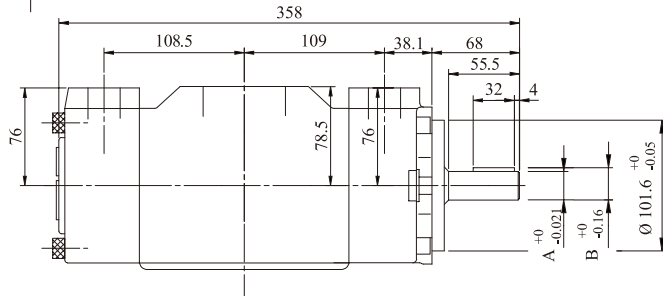


Foot Type (腳座型)

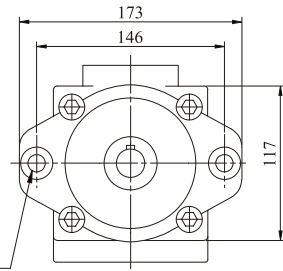


NO.04-Shaft
16/32 d.p. -13 teeth
30° pressure angle
flat root side fit.

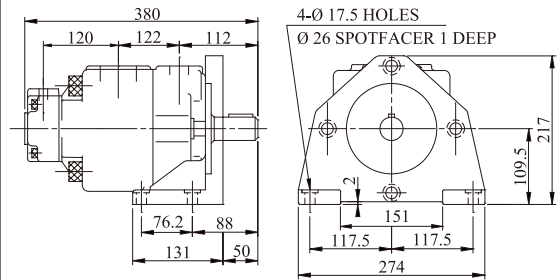
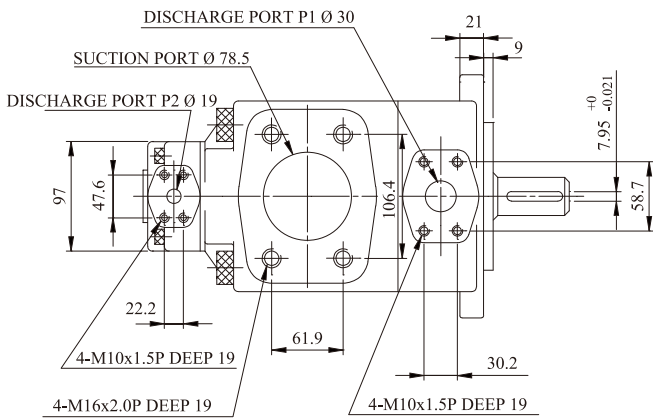
	A	B	C
NO.01-Shaft	Ø 22.23	24.5	6.35
NO.02-Shaft	Ø 25.4	28.18	6.35
NO.03-Shaft	Ø 30	33	7
NO.04-Shaft	Spline shaft 7/8" -13T		
NO.05-Shaft	Spline shaft 1" -15T		



2-Ø 13.5 HOLES
Ø 25 SPOTFACE 1 DEEP

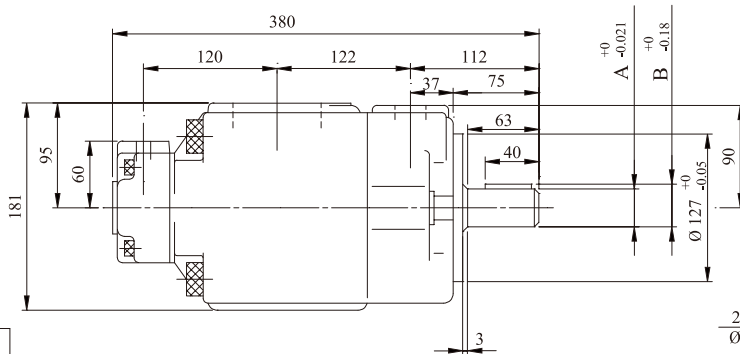


SVQ315

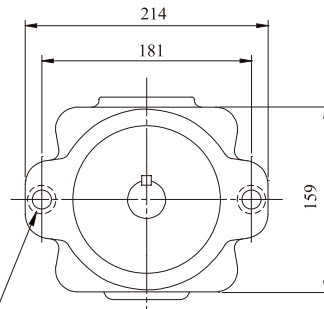


Foot Type (腳座型)

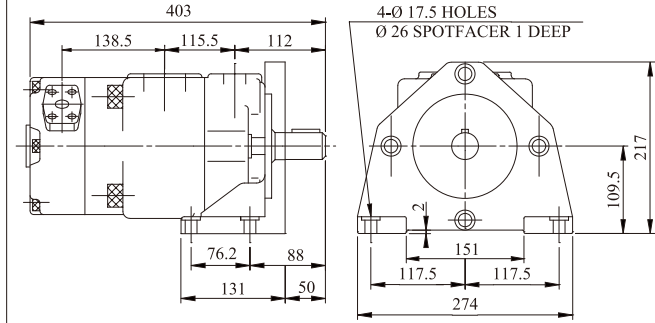
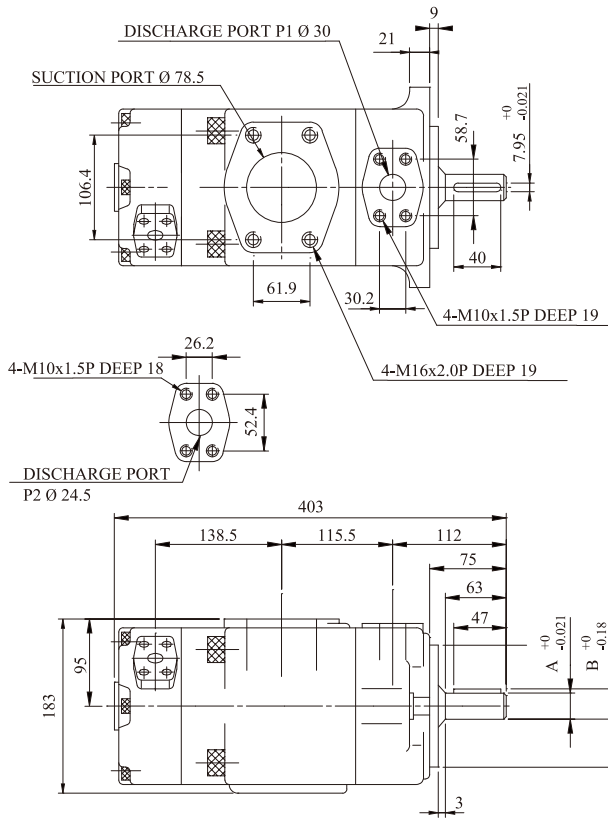
	A	B
NO.01-Shaft	Ø 31.75	35.32
NO.02-Shaft	Ø 34.9	38.56



2-Ø 17.5 HOLES
Ø 26 SPOTFACE 1 DEEP

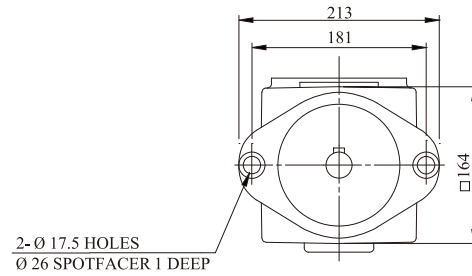


VQ325

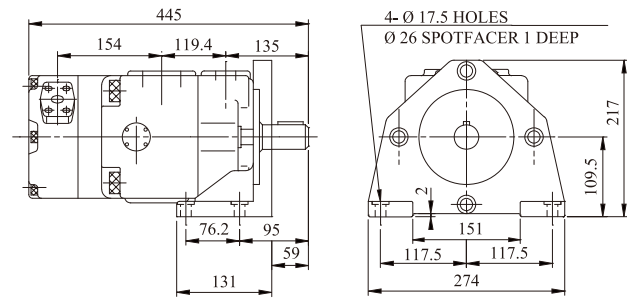
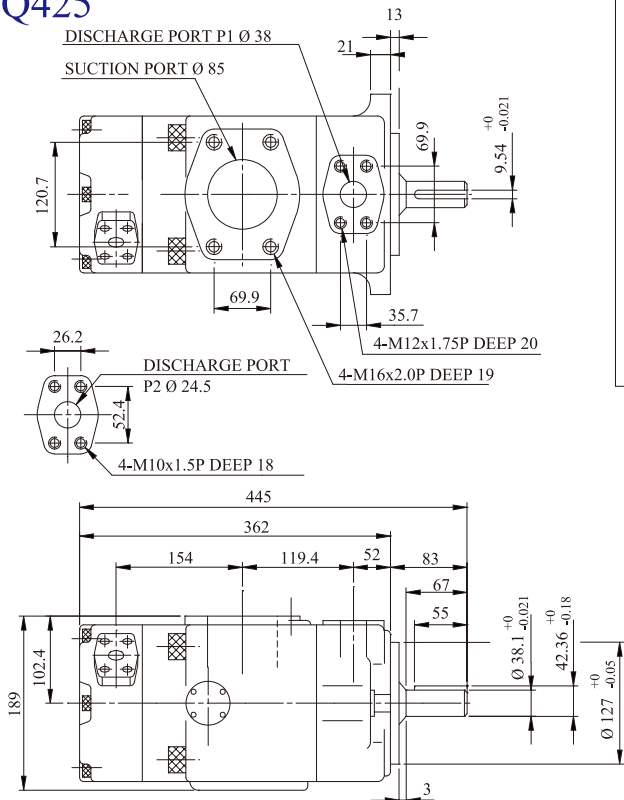


Foot Type (腳座型)

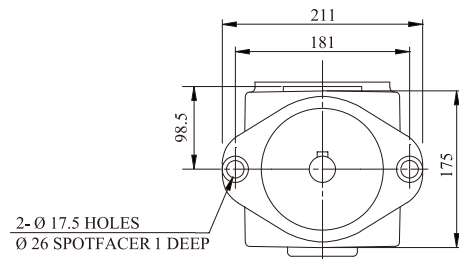
	A	B
NO.01-Shaft	Ø 31.75	35.32
NO.02-Shaft	Ø 34.9	38.56



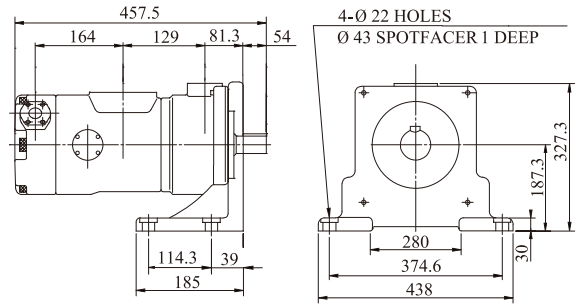
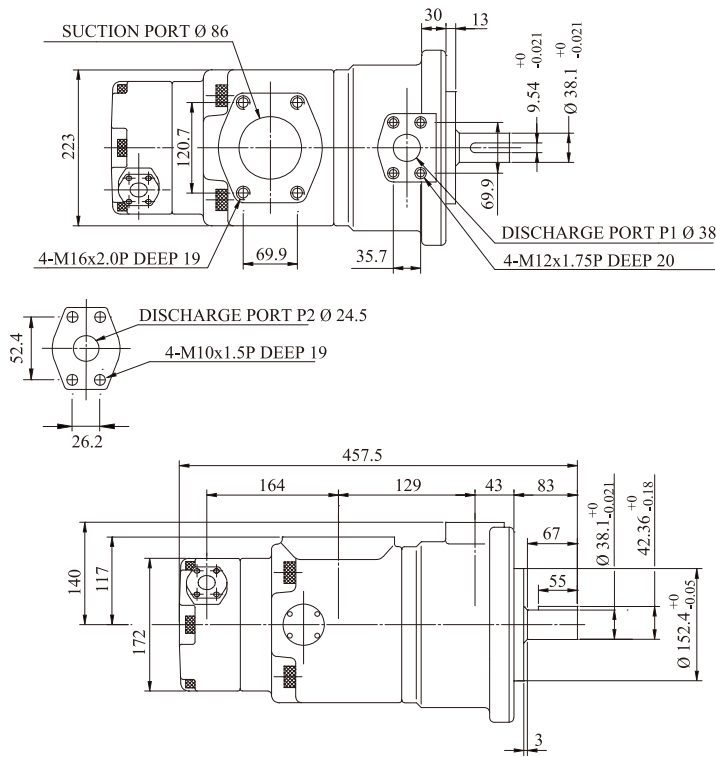
VQ425



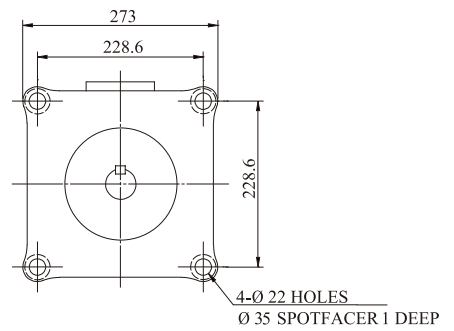
Foot Type (腳座型)



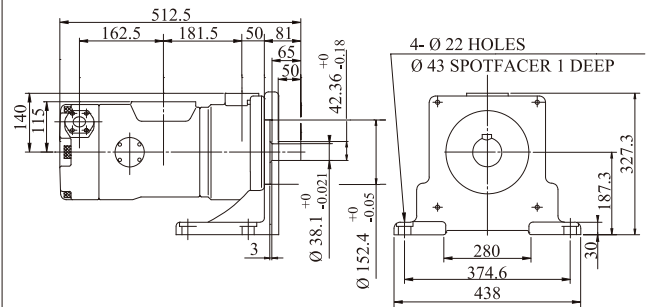
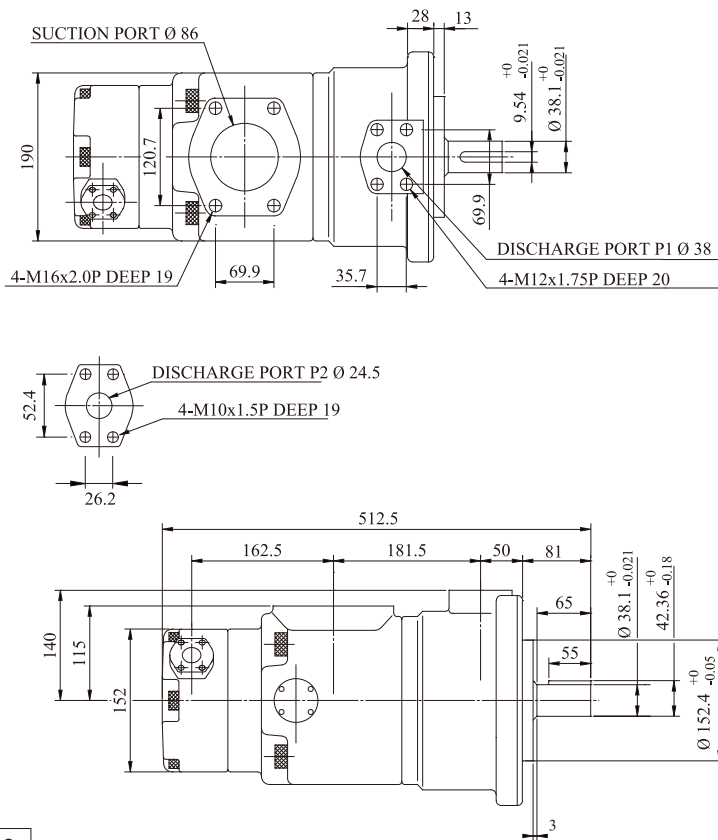
DVQ425



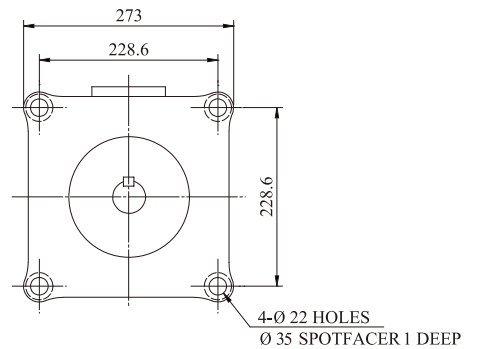
Foot Type (腳座型)



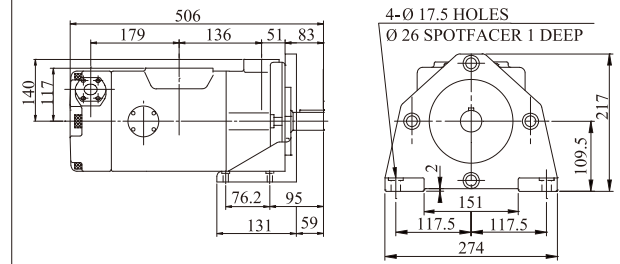
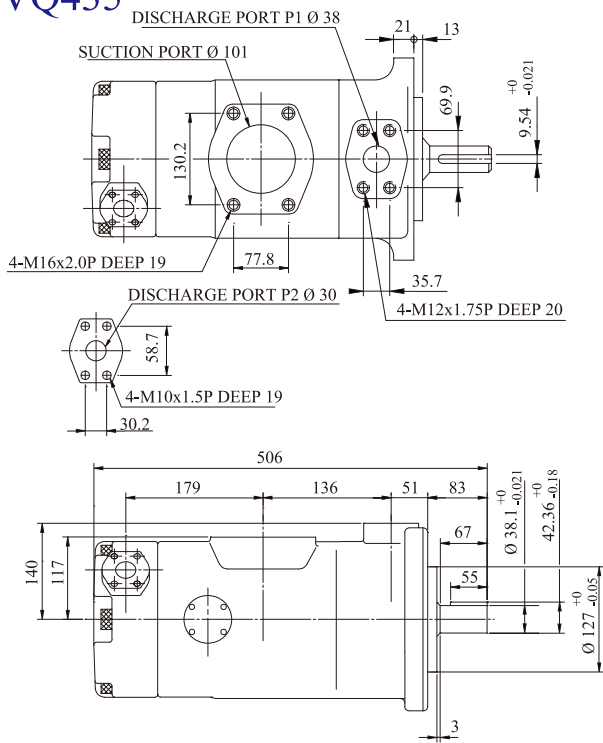
SVQ425



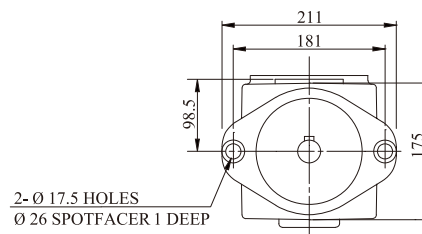
Foot Type (腳座型)



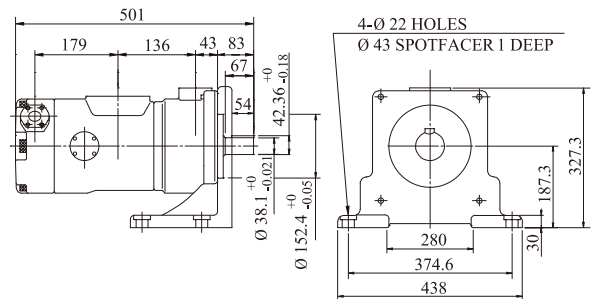
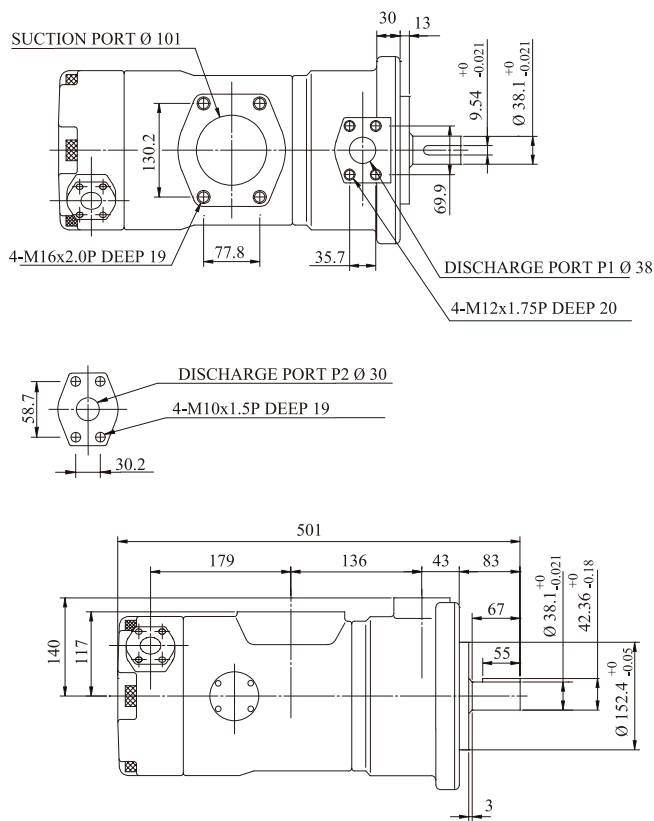
VQ435



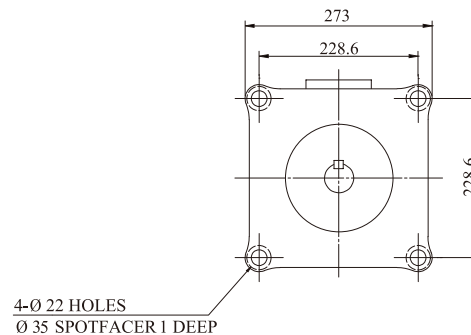
Foot Type (腳座型)



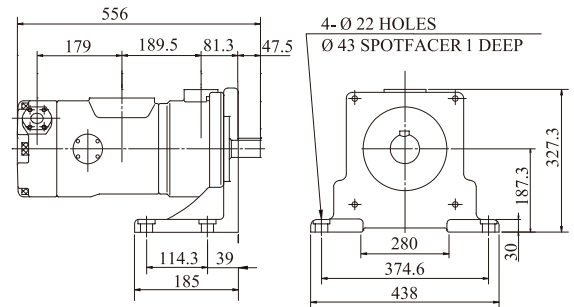
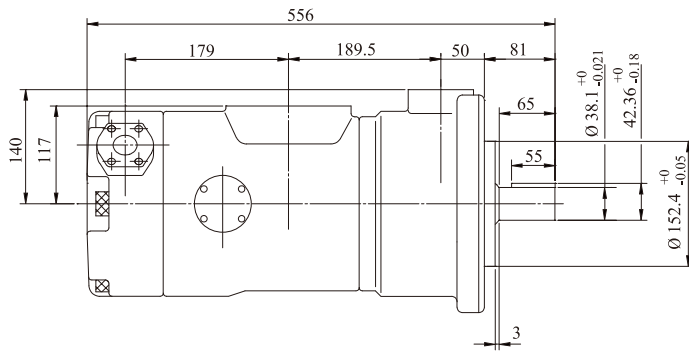
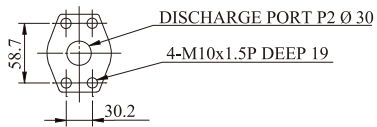
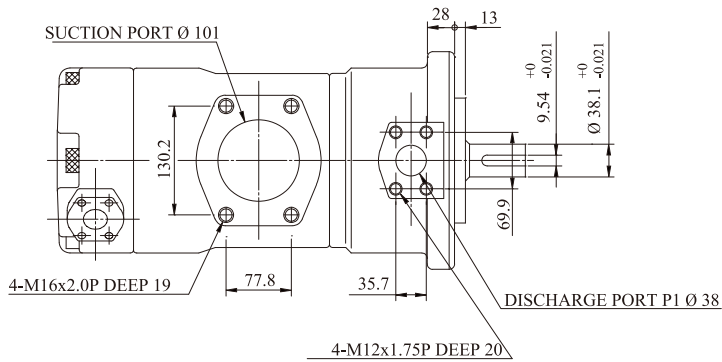
DVQ435



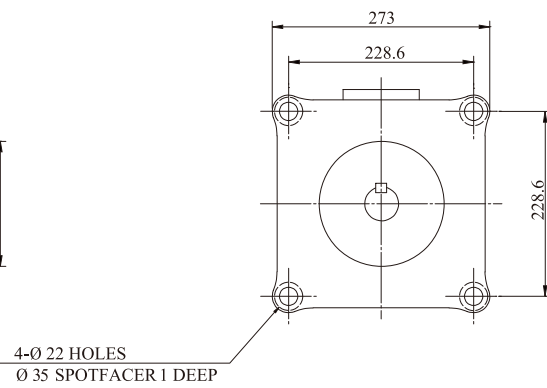
Foot Type (腳座型)



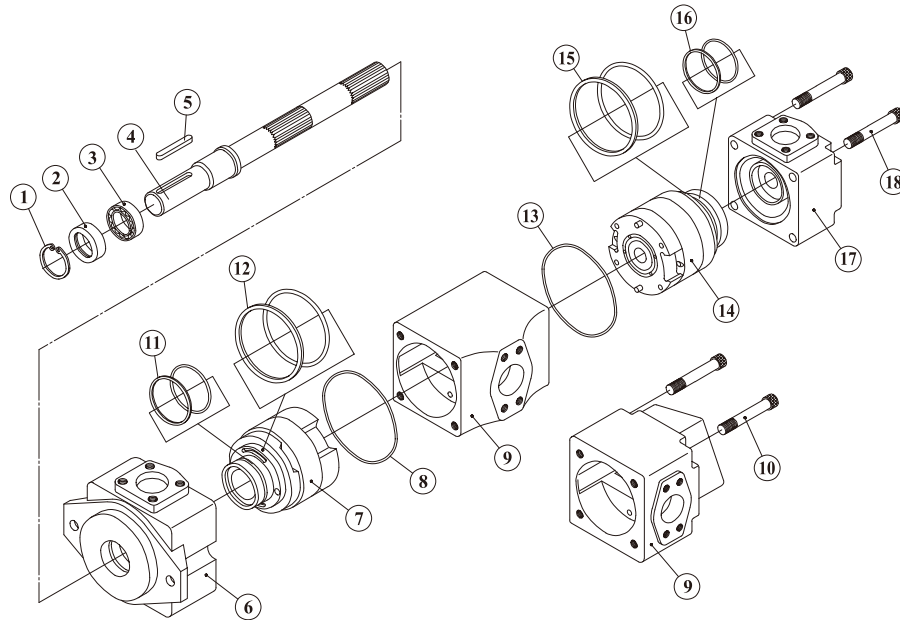
SVQ435



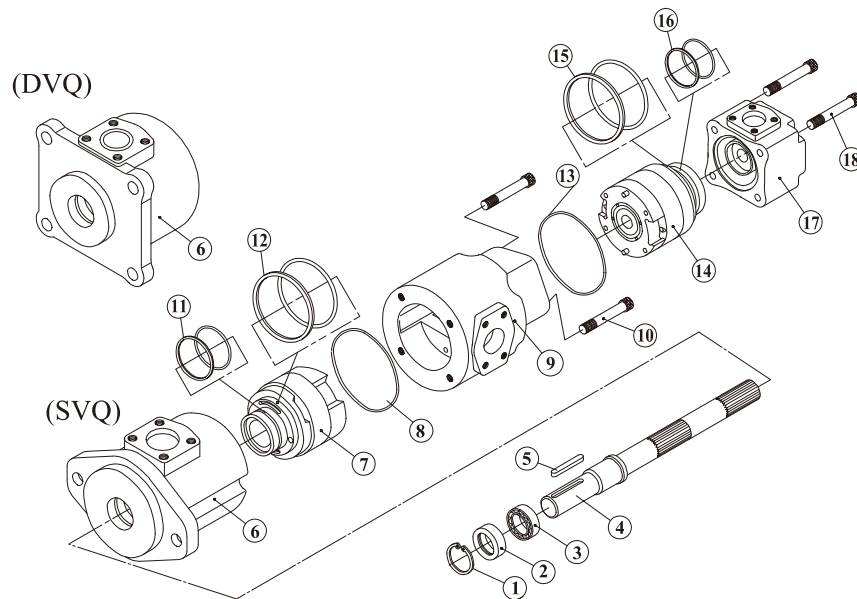
Foot Type (腳座型)



VQ215
VQ225
VQ325
VQ425
VQ435



SVQ215
SVQ315
SVQ425
SVQ435
DVQ425
DVQ435



VQ SERIES DOUBLE PUMP PARTS LIST

VQ 系列雙泵零件表

- | | |
|----------------------------|--|
| NO.1 Retainer Ring (扣環) | NO.11 O-ring & Endless (P1-前壓力板-O型環(小))
Back-Up Ring (P1-前壓力板-背托環(小)) |
| NO.2 Seal(油封) | NO.12 O-ring & Endless (P1-前壓力板-O型環(大))
Back-Up Ring ((P1前壓力板-背托環(大)) |
| NO.3 Bearing (軸承) | NO.13 O-Ring (上蓋-O型環) |
| NO.4 Shaft (心軸) | NO.14 Cartridge Kit (P2-內臟) |
| NO.5 Key (鍵) | NO.15 O-ring & Endless (P2-前壓力板-O型環(小))
Back-Up Ring (P2-前壓力板-背托環(小)) |
| NO.6 Housing (本體) | NO.16 O-ring & Endless (P2-前壓力板-O型環(大))
Back-Up Ring (P2-前壓力板-背托環(大)) |
| NO.7 Cartridge Kit (P1-內臟) | NO.17 End cover (上蓋) |
| NO.8 O-Ring (本體O型環) | NO.18 Screw (上蓋螺絲) |
| NO.9 Housing (中體) | |
| NO.10 Screw (中體螺絲) | |