

DVQ20

Weight : Flange Type 12.5 Kg
Foot Type 15 Kg

DVQ25

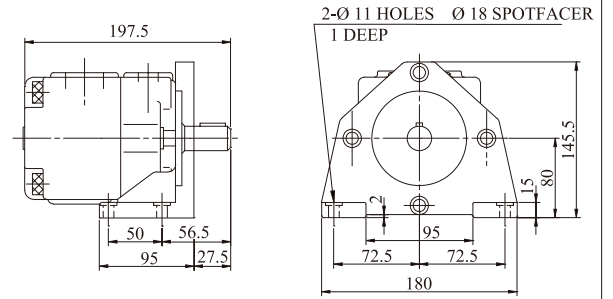
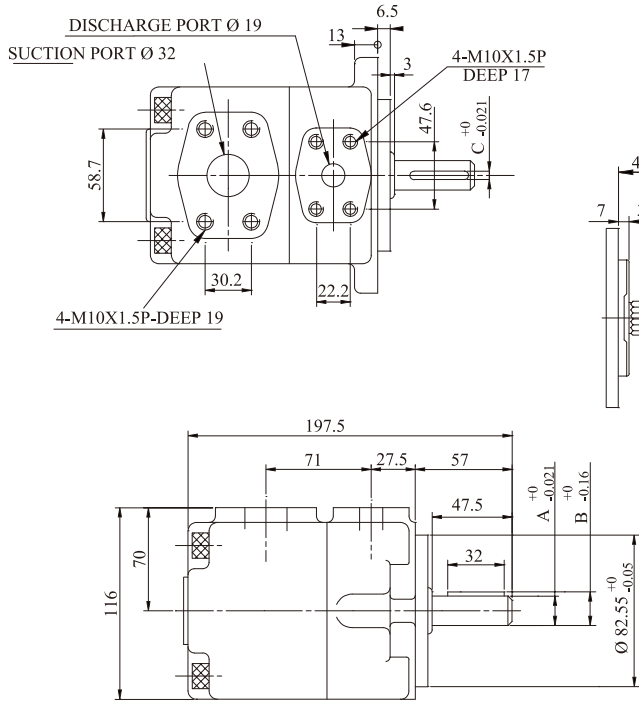
Weight : Flange Type 18 Kg
Foot Type 23 Kg

| | -26 | -F | -R | A | A | 01 |
|--------------------|---|--|---|--|--|--------------------|
| Model number 型號 | Displacement c.c/rev 吐油量 | MountingType 安裝方式 | Rotation 轉向 | Discharge Position 出口位置 | Suction Position 進口位置 | Shaft Type 心軸種類 |
| DVQ20 | 6,8,11,14 17,19,23 26,32,34, 38,44 | F: Flange Type 法蘭型 L: Foot Type 腳座型 | View from Shaft End 從心軸方向看 R: Clockwise 順時針 L: Anti- Clockwise 反時針 | A: Upward (Normal) 向上 B: Downward 向下 R: On Right Hand 右邊 L: On Left Hand 左邊 | A: Upward (Normal) 向上 B: Downward 向下 R: On Right Hand 右邊 L: On Left Hand 左邊 | 01: Normal |
| DVQ25 | 18,22,26 32,38,43 47,52,60 65,75 | | | | | |

| Model 型號 | Deliver Flow (ℓ /min) at no-load pressure 無負壓的傳輸流量 | | | | Running Speed (rpm) 轉速 | | Max Pressure (Kg/cm ²) 最高壓力 | | |
|-------------|---|------|-------|-------|------------------------|-----------|--|-------|-----|
| | Running Speed (rpm) 轉速 | | | | Max 最大 | Min 最小 | Cont. | Peak. | |
| | 1000 | 1200 | 1500 | 1800 | | | | | |
| DVQ20 | 06 | 6.2 | 7.4 | 9.3 | 11.2 | 1800 | 800 | 210 | 260 |
| | 08 | 8.1 | 9.7 | 12.1 | 14.6 | 1800 | 800 | 210 | 260 |
| | 11 | 11.2 | 13.4 | 13.4 | 20.1 | 1800 | 800 | 210 | 260 |
| | 14 | 14.3 | 17.1 | 21.5 | 25.7 | 1800 | 800 | 210 | 260 |
| | 17 | 17.1 | 20.5 | 25.6 | 30.7 | 1800 | 800 | 210 | 260 |
| | 19 | 19.2 | 23.0 | 28.8 | 34.5 | 1800 | 800 | 210 | 260 |
| | 23 | 23.3 | 27.9 | 34.9 | 41.9 | 1800 | 800 | 210 | 260 |
| | 26 | 26.1 | 31.3 | 39.1 | 46.9 | 1800 | 800 | 210 | 260 |
| | 32 | 32.1 | 38.3 | 47.6 | — | 1500 | 800 | 175 | 240 |
| | 34 | 34.1 | 40.8 | 50.4 | — | 1500 | 800 | 175 | 240 |
| DVQ25 | 38 | 38.1 | 45.9 | — | — | 1200 | 800 | 175 | 240 |
| | 44 | 44.1 | 52.9 | — | — | 1200 | 800 | 175 | 210 |
| | 18 | 18.1 | 21.7 | 27.2 | 32.6 | 1800 | 800 | 210 | 260 |
| | 22 | 22.1 | 26.5 | 33.3 | 39.8 | 1800 | 800 | 210 | 260 |
| | 26 | 26.2 | 31.4 | 39.3 | 47.1 | 1800 | 800 | 210 | 260 |
| | 32 | 32.1 | 38.5 | 48.1 | 57.7 | 1800 | 800 | 210 | 260 |
| | 38 | 38.2 | 45.8 | 57.3 | 68.7 | 1800 | 800 | 210 | 260 |
| | 43 | 43.2 | 51.8 | 64.8 | 77.7 | 1800 | 800 | 210 | 260 |
| | 47 | 47.1 | 56.5 | 70.0 | 85.0 | 1800 | 800 | 210 | 260 |
| | 52 | 52.3 | 62.7 | 78.4 | 94.1 | 1800 | 800 | 210 | 260 |
| | 60 | 60.2 | 72.7 | 90.3 | 108.3 | 1800 | 800 | 210 | 260 |
| 65 | 65.3 | 78.3 | 97.9 | 117.5 | 1800 | 800 | 210 | 230 | |
| 75 | 75.0 | 90.0 | 112.5 | — | 1500 | 800 | 210 | 230 | |

DVQ20

Max. Pressure: 260 Kg/cm² (Peak)
Max. Speed: 1800 rpm

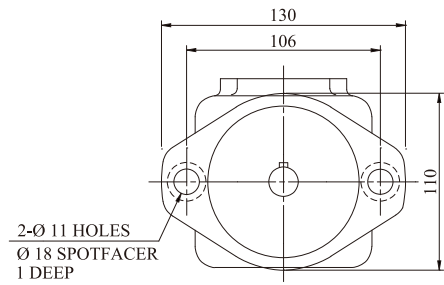


Foot Type (腳座型)

NO.04-Shaft

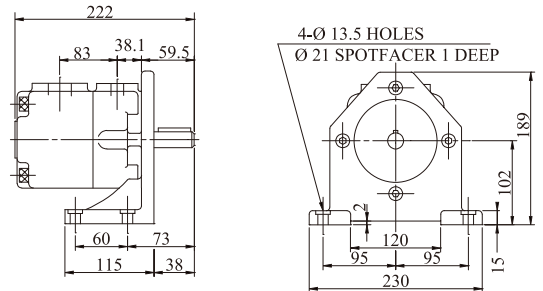
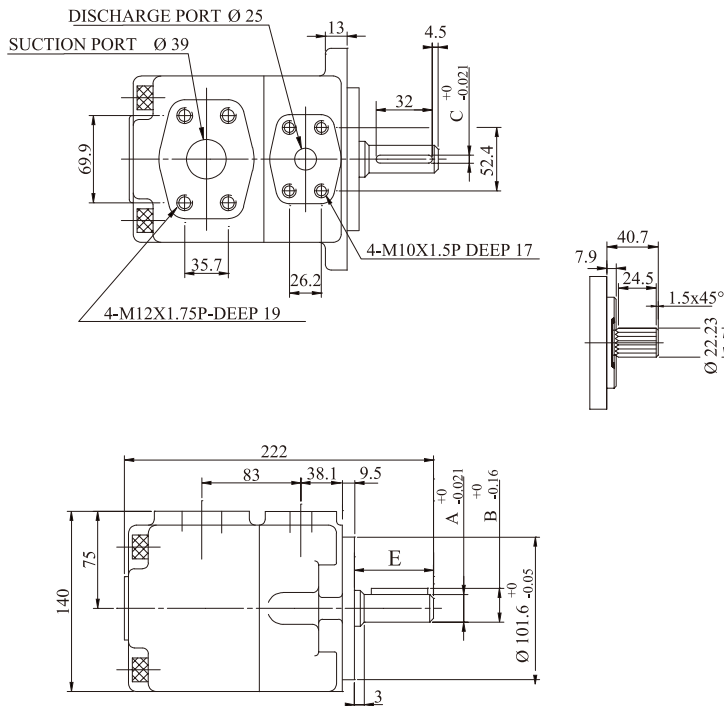
13-Teeth Spline
7/8" (22.225)DIA
30° pressure angle
Flat root side fit

| | A | B | C |
|-------------|--------------|-------|------|
| NO.01-Shaft | Ø 19.05 | 21.24 | 4.76 |
| NO.02-Shaft | Ø 22.23 | 24.5 | 4.76 |
| NO.03-Shaft | Ø 22.23 | 25.01 | 6.35 |
| NO.04-Shaft | Spline shaft | | |



DVQ25

Max. Pressure: 260 Kg/cm² (Peak)
Max. Speed: 1800 rpm



Foot Type (腳座型)

NO.04-Shaft

16/32 d.p.
-13 teeth
30° pressure angle
Flat root side fit.

| | A | B | C | E |
|-------------|--------------|-------|------|------|
| NO.01-Shaft | Ø 22.23 | 24.5 | 6.35 | 50.5 |
| NO.02-Shaft | Ø 25.4 | 28.18 | 6.35 | 50.5 |
| NO.03-Shaft | Ø 30.0 | 33.0 | 7.0 | 59 |
| NO.04-Shaft | Spline shaft | | | |
| NO.W-Shaft | Ø 28.0 | 30.8 | 6.35 | 50.5 |

